



QUELCONGELATEUR.COM

GSN..



BOSCH

en Instruction for Use
fr Mode d'emploi

ar دليل الاستخدام
fa راهنمای استفاده

en Table of Contents

Safety and warning information	3	Freezing and storing food	11
Information concerning disposal	5	Freezing fresh food	11
Scope of delivery	5	Super freezing	12
Observe ambient temperature and ventilation	6	Thawing frozen food	13
Connecting the appliance	6	Interior fittings	13
Getting to know your appliance	7	Switching off and disconnecting the appliance	14
Switching the appliance on	8	Defrosting	14
Setting the temperature	9	Cleaning the appliance	14
Alarm function	9	Tips for saving energy	15
Usable capacity	10	Operating noises	15
Freezer compartment	10	Eliminating minor faults yourself	16
Max. freezing capacity	10	Customer service	19

fr Table des matières

Consignes de sécurité et avertissements	20	Congélation et rangement	29
Conseil pour la mise au rebut	22	Congélation de produits frais	30
Étendue des fournitures	23	Supercongélation	31
Contrôler la température ambiante et l'aération	24	Décongélation des produits	31
Branchement de l'appareil	24	Équipement	32
Présentation de l'appareil	25	Arrêt et remisage de l'appareil	33
Enclenchement de l'appareil	26	Si vous dégivrez l'appareil	33
Réglage de la température	27	Nettoyage de l'appareil	33
Fonction alarme	27	Economies d'énergie	34
Contenance utile	28	Bruits de fonctionnement	34
Le compartiment congélateur	29	Remédier soi même aux petites pannes	35
Capacité de congélation maximale ..	29	Service après-vente	38

Safety and warning information

Before you switch ON the appliance

Please read the operating and installation instructions carefully. They contain important information on how to install, use and maintain the appliance.

Retain all documents for subsequent use or for the next owner.

Technical safety

This appliance contains a small quantity of environmentally-friendly but flammable R600a refrigerant. Ensure that the tubing of the refrigerant circuit is not damaged during transportation and installation. Leaking refrigerant may cause eye injuries or ignite.

If damage has occurred

- Keep naked flames and/or ignition sources away from the appliance,
- thoroughly ventilate the room for several minutes,
- switch off the appliance and pull out the mains plug,
- inform customer service.

The more refrigerant an appliance contains, the larger the room must be in which the appliance is situated. Leaking refrigerant can form a flammable gas-air mixture in rooms which are too small. The room must be at least 1 m³ per 8 g of refrigerant. The amount of refrigerant in your appliance is indicated on the rating plate inside the appliance.

If the power cord of this appliance is damaged, it must be replaced by the manufacturer, customer service or a similarly qualified person. Improper installations and repairs may put the user at considerable risk.

Repairs may be performed by the manufacturer, customer service or a similarly qualified person only.

Only original parts supplied by the manufacturer may be used. The manufacturer guarantees that only these parts satisfy the safety requirements.

A power cable extension may be purchased from customer service only.

Important information when using the appliance

- Never use electrical appliances inside the appliance (e.g. heater, electric ice maker, etc.). Risk of explosion!
- Never use a steam cleaner to defrost or clean the appliance! The steam may penetrate electrical parts and cause a short-circuit. Risk of electric shock!
- Do not use pointed or sharp-edged implements to remove frost or layers of ice. You could damage the refrigerant tubing. Leaking refrigerant may ignite or cause eye injuries.
- Do not store products which contain flammable propellants (e.g. spray cans) or explosive substances in the appliance. Risk of explosion!
- Do not stand or support yourself on the base, drawers or doors, etc.

- Before defrosting and cleaning the appliance, pull out the mains plug or switch off the fuse.
Do not pull out the mains plug by tugging the cable.
- Bottles which contain a high percentage of alcohol must be sealed and stored in an upright position.
- Keep plastic parts and the door seal free of oil and grease. Otherwise, parts and door seal will become porous.
- Never cover or block the ventilation openings for the appliance.
- People (children incl.) who have limited physical, sensory or mental abilities or inadequate knowledge must not use this appliance unless they are supervised or given meticulous instructions.
- Do not store bottled or canned drinks (especially carbonated drinks) in the freezer compartment. Bottles and cans may explode!
- Never put frozen food straight from the freezer compartment into your mouth.
Risk of low-temperature burns!
- Avoid prolonged touching of frozen food, ice or the evaporator pipes, etc.
Risk of low-temperature burns!

Children in the household

- Keep children away from packaging and its parts.
Danger of suffocation from folding cartons and plastic film!
- Do not allow children to play with the appliance!
- If the appliance features a lock: keep the key out of the reach of children!

General regulations

The appliance is suitable

- for freezing food,
- for making ice.

This appliance is intended for use in the home and the home environment.

The appliance is suppressed according to EU Directive 2004/108/EC.

The refrigeration circuit has been checked for leaks.

This product complies with the relevant safety regulations for electrical appliances (EN 60335-2-24).

Information concerning disposal

Disposal of packaging

The packaging protects your appliance from damage during transit. All utilised materials are environmentally safe and recyclable. Please help us by disposing of the packaging in an environmentally friendly manner.

Please ask your dealer or inquire at your local authority about current means of disposal.

Disposal of your old appliance

Old appliances are not worthless rubbish! Valuable raw materials can be reclaimed by recycling old appliances.



This appliance is identified according to the European guideline 2002/96/EC on waste electrical and electronic equipment – WEEE. The directive specifies the framework for an EU-wide valid return and re-use of old appliances.

Warning

Redundant appliances

1. Pull out the mains plug.
2. Cut off the power cord and discard with the mains plug.
3. Do not take out the trays and receptacles: children are therefore prevented from climbing in!
4. Do not allow children to play with the appliance once it has spent its useful life. Danger of suffocation!

Refrigerators contain refrigerant and gases in the insulation. Refrigerant and gases must be disposed of professionally. Ensure that tubing of the refrigerant circuit is not damaged prior to proper disposal.

Scope of delivery

After unpacking all parts, check for any damage in transit.

If you have any complaints, please contact the dealer from whom you purchased the appliance or our customer service.

The delivery consists of the following parts:

- Free-standing appliance
- Interior fittings (depending on model)
- Operating instructions
- Installation manual
- Customer service booklet
- Warranty enclosure
- Information on the energy consumption and noises
- Bag containing installation materials

Observe ambient temperature and ventilation

Ambient temperature

The appliance is designed for a specific climatic class. Depending on the climatic class, the appliance can be operated at the following room temperatures.

The climatic class can be found on the rating plate, Fig. 12.

Climatic class	Permitted ambient temperature
SN	+10 °C to 32 °C
N	+16 °C to 32 °C
ST	+16 °C to 38 °C
T	+16 °C to 43 °C

Note

The appliance is fully functional within the room temperature limits of the indicated climatic class. If an appliance of climatic class SN is operated at colder room temperatures, the appliance will not be damaged up to a temperature of +5 °C.

Ventilation

Fig. 3

The air on the rear panel of the appliance heats up. Conduction of the heated air must not be obstructed. Otherwise, the refrigerating unit must work harder. This increases power consumption. Therefore: Never cover or block the ventilation openings!

Connecting the appliance

After installing the appliance, wait at least 1 hour until the appliance is switched on. During transportation the oil in the compressor may have flowed into the refrigeration system.

Before switching on the appliance for the first time, clean the interior of the appliance (see chapter "Cleaning the appliance").

Electrical connection

The socket must be near the appliance and also freely accessible following installation of the appliance.

The appliance complies with the protection class I. Connect the appliance to 220–240 V/50 Hz alternating current via a correctly installed socket with protective conductor. The socket must be fused with a 10 to 16 A fuse.

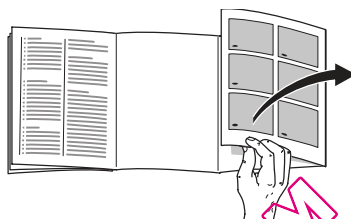
For appliances operated in non-European countries, check whether the stated voltage and current type match the values of your mains supply match the values of the mains supply. This information can be found on the rating plate. Fig. 12

Warning

Never connect the appliance to electronic energy saver plugs.

Our appliances can be used with mains and sine-controlled inverters. Mains-controlled inverters are used for photovoltaic systems which are connected directly to the national grid. Sine-controlled inverters must be used for isolated applications (e.g. on ships or in mountain lodges) which are not connected directly to the national grid.

Getting to know your appliance



Please fold out the illustrated last page. These operating instructions refer to several models.

The features of the models may vary.

The diagrams may differ.

Fig. 

* Not all models.

- | | |
|-----|-------------------------------|
| 1-7 | Controls |
| 8 | Light |
| 9 | No Frost System |
| 10 | Freezer compartment flap |
| 11 | Glass shelf |
| 12 | Ice maker/pizza box * |
| 13 | Frozen food container (small) |
| 14 | Freezer shelf |
| 15 | Frozen food container (large) |
| 16 | Ventilation opening |
| 17 | Height-adjustable feet |
| 18 | Ice pack |
| 19 | Freezer calendar |
| 20 | Door ventilation |

Controls

Fig. 2

- 1 **Temperature display**
Indicates the set temperature of the freezer compartment.
- 2 **Alarm display**
Lights up if the freezer compartment becomes too warm. It goes out when the freezer compartment has reached the set temperature.
- 3 **Display super freezing**
Illuminates when super freezing is on.
- 4 **Temperature selection button**
The required temperature is set with this button.
- 5 **“super” button**
To switch on super freezing function.
See chapter entitled “Super freezing”.
- 6 **Alarm button**
Used to switch off the warning signal, see chapter “Alarm function”.
- 7 **On/Off button**
Serves to switch the whole appliance on and off.

Switching the appliance on

Switch on the appliance with the On/Off button 7.

A warning signal sounds. “AL” flashes on the temperature display 1, the super freezing display 3 flashes and the alarm display 2 is lit.

Press the alarm button 6. The warning signal switches off and the super freezing display 3 goes out.

When the appliance has reached the set temperature, the temperature display 1 indicates the set temperature. Alarm display 2 goes out.

When the door is open, the light is lit.

Operating tips

- When the appliance has been switched on, it may take several hours until the set temperature has been reached.
- The fully automatic No Frost system ensures that the freezer compartment remains free of ice. Defrosting is not required.
- The sides of the housing are sometimes heated slightly. This prevents condensation in the area of the door seal.
- The appliance features door ventilation to prevent a partial vacuum in the freezer compartment and to ensure that the appliance door can be opened easily at any time.

Setting the temperature

Fig. 2

Freezer compartment

The temperature can be set from $-16\text{ }^{\circ}\text{C}$ to $-26\text{ }^{\circ}\text{C}$.

Keep pressing temperature selection button 4 until the required freezer compartment temperature is set. The value last selected is stored.

The set temperature is indicated on display 1.

We recommend a factory setting of $-18\text{ }^{\circ}\text{C}$ in the freezer compartment.

Alarm function

Switching off the warning signal

Fig. 2

Press the “alarm” button 6 to switch off the warning signal.

Door alarm

The door alarm switches on if an appliance door is left open for longer than one minute. Close the door to switch off the warning signal.

Temperature alarm

The temperature alarm switches on if the freezer compartment is too warm and the frozen food is at risk of thawing. “AL” flashes on the temperature display 1, and the “alarm” display 2 is lit.

When the alarm button 6 is pressed, the temperature display 1 indicates for five seconds the warmest temperature reached in the freezer compartment.

Then this value is deleted. “AL” is indicated on the temperature display 1 and the “alarm” display 2 is lit until the set temperature is reached. The temperature display 1 then indicates the set temperature.

Henceforth the “warmest temperature” will be redefined and stored.

The alarm may switch on without any risk to the frozen food:

- when the appliance is switched on,
- when large quantities of fresh food are placed in the appliance,
- if the freezer compartment door is open too long.

Note

Do not refreeze thawing or thawed food. It can only be refrozen when it has been used to prepare a ready meal (boiled or fried).

No longer store the frozen produce for the max. storage period.

Usable capacity

Information on the usable capacity can be found inside your appliance on the rating plate.

Fully utilising the freezer volume

The maximum amount of food can be placed in the freezer by removing several fittings. The food can be stacked directly on the freezer shelves.

Note

To comply with the values indicated on the rating plate, the fittings at the very top and bottom should remain in the appliance.

Removing the fittings

- Pull out the frozen food container all the way, lift at the front and remove Fig. **4**
- Open freezer compartment flap, hold one of the bearing pins and remove flap. Fig. **5**
- If appliances feature an ice maker, the latter can be taken out. Fig. **6**
- The glass shelf, Fig. **11**/11, can be taken out and inserted above the frozen food container 13.

Freezer compartment

Use the freezer compartment

- To store deep-frozen food.
- To make ice cubes.
- To freeze food.

Note

Ensure that the freezer compartment door has been closed properly. If the door is open, the frozen food will thaw. The freezer compartment will become covered in thick ice. Also: waste of energy due to high power consumption.

Max. freezing capacity

Information about the max. freezing capacity within 24 hours can be found on the rating plate (see chapter "Customer service").

Freezing and storing food

Purchasing frozen food

- Packaging must not be damaged.
- Use by the “use by” date.
- Temperature in the supermarket freezer must be $-18\text{ }^{\circ}\text{C}$ or lower.
- If possible, transport deep-frozen food in an insulated bag and place quickly in the freezer compartment.

Note when loading products

Freeze large quantities of food preferably in the very top compartment where food freezes particularly quickly and therefore also gently. Place the food over the whole area of the compartments or in the frozen food container. Food which is already frozen must not come into contact with the food which is to be frozen. If required, move the frozen food to the frozen food container.

To ensure good air circulation in the appliance, insert the frozen food container all the way.

Do not cover the ventilation slots on the rear panel with frozen food!

Freezing fresh food

Freeze fresh and undamaged food only.

To retain the best possible nutritional value, flavour and colour, vegetables should be blanched before freezing. Aubergines, peppers, zucchini and asparagus do not require blanching.

Literature on freezing and blanching can be found in bookshops.

Note

Keep food which is to be frozen away from food which is already frozen.

- The following foods are suitable for freezing:
Cakes and pastries, fish and seafood, meat, game, poultry, vegetables, fruit, herbs, eggs without shells, dairy products such as cheese, butter and quark, ready meals and leftovers such as soups, stews, cooked meat and fish, potato dishes, soufflés and desserts.
- The following foods are not suitable for freezing:
Types of vegetables, which are usually consumed raw, such as lettuce or radishes, eggs in shells, grapes, whole apples, pears and peaches, hard-boiled eggs, yoghurt, soured milk, sour cream, crème fraîche and mayonnaise.

Packing frozen food

To prevent food from losing its flavour or drying out, place in airtight containers.

1. Place food in packaging.
2. Remove air.
3. Seal the wrapping.
4. Label packaging with contents and date of freezing.

Suitable packaging:

Plastic film, tubular film made of polyethylene, aluminium foil, freezer containers.

These products are available from specialist outlets.

Unsuitable packaging:

Wrapping paper, greaseproof paper, cellophane, bin liners and used shopping bags.

Items suitable for sealing packaged food:

Rubber bands, plastic clips, string, cold-resistant adhesive tape, etc.

Bags and tubular film made of polyethylene can be sealed with a film heat sealer.

Shelf life of frozen food

Depends on the type of food.

At a temperature of $-18\text{ }^{\circ}\text{C}$:

- Fish, sausage, ready meals and cakes and pastries:
up to 6 months
- Cheese, poultry and meat:
up to 8 months
- Vegetables and fruit:
up to 12 months

Super freezing

Food should be frozen solid as quickly as possible in order to retain vitamins, nutritional value, appearance and flavour.

To prevent an undesirable temperature rise when placing fresh food in the freezer compartment, switch on super freezing several hours beforehand.

If the max. freezing capacity is to be used, super freezing must be switched on for 24 hours before the fresh produce is placed in the freezer compartment.

Smaller quantities of food (up to 2 kg) can be frozen without "super freezing".

Note

When super freezing is switched on, increased operating noises may occur.

Switching on and off

Fig. 2

Press "super" button 5.

When super freezing is switched on, "SU" is indicated on the temperature display 1 and the super freezing display 3 is lit.

This appliance runs constantly and the freezer compartment drops to a very low temperature.

Super freezing automatically switches off after approx. 2½ days.

Thawing frozen food

Depending on the type and application, select one of the following options:

- at room temperature
- in the refrigerator
- in an electric oven, with/without fan assisted hot-air
- in the microwave

Note

Do not refreeze food which is beginning to thaw or which has already thawed. It can only be refrozen when it has been used to prepare a ready meal (boiled or fried).

No longer store the frozen produce for the max. storage period.

Interior fittings

(not all models)

Frozen food container (large)

Fig. **1**/15

For freezing and storing large food items, e.g. turkey, duck and goose.

Freezer calendar

Fig. **7**/A

To prevent the quality of the food from deteriorating, it is important that the permitted storage period is not exceeded. The storage period depends on the type of produce. The figures next to the symbols indicate the permitted storage period of the produce in months. When purchasing frozen produce, observe the date of manufacture or use-by date.

Ice pack

Fig. **7**/B

If a power failure or malfunction occurs, the ice packs can be used to slow down the thawing process. The longest storage time is obtained by placing the ice pack directly on the food in the top compartment.

To save space, the ice pack can be stored in the door compartment.

The ice packs can also be used to cool food temporarily, e.g. in a cold bag.

Ice cube tray

Fig. **8**

Fill the ice cube tray $\frac{3}{4}$ full of water and place in the freezer compartment.

If the ice tray is stuck to the freezer compartment, loosen with a blunt implement only (spoon-handle).

To loosen the ice cubes, twist the ice tray slightly or hold briefly under flowing water.

Ice maker

Fig. **9**

1. Remove the ice cube tray, fill $\frac{3}{4}$ full of water and re-insert.
2. When the ice cubes are frozen, rotate the knobs on the ice cube trays several times to the right and release. The ice cubes loosen and fall into the storage container.
3. Remove ice cubes from the storage container.

Switching off and disconnecting the appliance

Switching off the appliance

Fig. 2

Press the On/Off button 7.
Temperature display goes out,
refrigerating unit switches off.

Disconnecting the appliance

If you do not use the appliance
for a prolonged period:

1. Switch off the appliance.
2. Pull out mains plug or switch off fuse.
3. Clean the appliance.
4. Leave the appliance door open.

Defrosting

Freezer compartment

The fully automatic No Frost system ensures that the freezer compartment remains free of ice. Defrosting is no longer required.

Cleaning the appliance

Caution

- Do not use abrasive or acidic cleaning agents and solvents.
- Do not use scouring or abrasive sponges. The metallic surfaces could corrode.
- Never clean shelves and containers in the dishwasher. The parts may become deformed!

Proceed as follows:

1. Before cleaning, switch the appliance off.
2. Pull out the mains plug or switch off the fuse.
3. Take out the frozen food and store in a cool location.
4. Clean the appliance with a soft cloth, lukewarm water and a little pH neutral washing-up liquid. The rinsing water must not run into the light.
5. Wipe the door seal with clear water only and then wipe dry thoroughly.
6. Rinsing water must not run through the drainage hole into the evaporation area.
7. After cleaning reconnect and switch the appliance back on.
8. Put the frozen food back in the freezer compartment.

Tips for saving energy

- Install the appliance in a dry, well ventilated room! The appliance should not be installed in direct sunlight or near a heat source (e.g. radiator, cooker).
If required, use an insulating plate.
- Do not block the ventilation openings in the appliance.
- Allow warm food and drinks to cool down before placing in the appliance!
- When thawing frozen products, place them in the refrigerator. Use the coldness of the frozen food to cool food.
- Open the appliance as briefly as possible.
- Ensure that the freezer compartment door is always closed properly.
- Occasionally clean the rear of the appliance with a vacuum cleaner or paint brush to prevent an increased power consumption.
- There must be a gap of 60 mm from the back wall so that the heated air can escape without obstruction.

Operating noises

Quite normal noises

Droning

Motors are running (e.g. refrigerating units, fan).

Bubbling, humming or gurgling noises

Refrigerant is flowing through the tubing.

Clicking

Motor, switches or solenoid valves are switching on/off.

Preventing noises

The appliance is not level

Please align the appliance with a spirit level. Use the height-adjustable feet or place packing underneath them.

The appliance is not free-standing

Please move the appliance away from adjacent units or appliances.

Containers or storage areas wobble or stick

Please check the removable parts and re-insert them correctly if required.

QUELCONGELATTORE.COM

Eliminating minor faults yourself

Before you call customer service:

Please check whether you can eliminate the fault yourself based on the following information.

Customer service will charge you for advice – even if the appliance is still under guarantee!

Fault	Possible cause	Remedial action
Temperature differs greatly from the set value.		<p>In some cases it is adequate to switch off the appliance for 5 minutes.</p> <p>If the temperature is too high wait a few hours and check whether the temperature has approached the set value.</p> <p>If the temperature is too low check the temperature again the next day.</p>
The light does not work.	The bulb is defective	<p>Replace bulb. Fig. 10/B</p> <ol style="list-style-type: none"> 1. Switch the appliance off. 2. Pull out mains plug or switch off fuse. 3. Slide cover forwards and remove. 4. Change the bulb. <p>(Replacement bulb: 220–240 V a.c., E14 bulb holder, see defective bulb for wattage.)</p>
	Light switch is jammed.	Check whether it can be moved. Fig. 10/A
Displays do not illuminate.	Power failure; the fuse has been switched off; the mains plug has not been inserted properly.	Connect mains plug. Check whether the power is on, check the fuses.
Display indicates “E..”.	Electronics module defective.	Call customer service.

Fault	Possible cause	Remedial action
Warning signal sounds. “AL” flashes on the temperature display, Fig. 2/1, and the “alarm” display 2 is lit.	Fault – the freezer compartment is too warm! Frozen food is at risk!	To switch off the warning signal, press the “alarm” button 6. The temperature display 1 stops flashing. The temperature display 1 indicates for 5 seconds the warmest temperature which was reached in the freezer compartment. Note Frozen food which has started thawing or which has thawed can be refrozen if meat and fish were above +3 °C for not more than one day or other frozen food for not more than three days. If taste, odour and appearance have not changed, the food can be boiled or fried and then refrozen. No longer store the frozen produce for the max. storage period.
	Appliance is open.	Close the appliance.
	Ventilation openings have been covered.	Ensure that there is adequate ventilation.
	Too much food was placed in the freezer compartment at once.	Do not exceed max. freezing capacity.
		When the fault has been eliminated, the alarm button goes out shortly afterwards.
Temperature display flashes. Fig. 2/1	A fault caused the freezer compartment to become too warm in the past.	When the “alarm” button 6 is pressed, the temperature display 1 stops flashing. The temperature display 1 indicates for 5 seconds the warmest temperature which was reached in the freezer compartment.

Fault	Possible cause	Remedial action
Super freezing display flashes. Fig. 2/3	<p>Power failure</p> <p>The frozen food is not at risk of thawing!</p> <p>Attention!</p> <p>If another fault is indicated at the same time, proceed according to "Eliminating minor faults yourself".</p> <p>The frozen food is at risk of thawing!</p>	Press any button, the super freezing display stops flashing.
Freezer compartment door was open for a long time; temperature is no longer reached.	<p>The evaporator (refrigeration generator) in the No Frost system is covered in thick ice and can no longer be defrosted fully automatically.</p>	<p>To defrost the evaporator, remove the frozen food with the compartments, insulate well and store in a cool location.</p> <p>Switch off the appliance and move it away from the wall. Leave the appliance door open.</p> <p>After approx. 20 min. the condensation begins to run into the evaporation pan, at the rear of the appliance. Fig. 11</p> <p>To prevent the evaporation pan from overflowing in this case, mop up the condensation with a sponge.</p> <p>The evaporator is defrosted when the water stops running into the evaporation pan. Clean the interior. Switch the appliance back on again.</p>

Customer service

Your local customer service can be found in the telephone directory or in the customer-service index. Please provide customer service with the appliance product number (E-Nr.) and production number (FD).

These specifications can be found on the rating plate. Fig. 12

To prevent unnecessary call-outs, please assist customer service by quoting the product and production numbers. This will save you additional costs.

Repair order and advice on faults

Contact information for all countries can be found on the enclosed customer service list.

GB 0844 8928979 Calls from a BT landline will be charged at up to 3 pence per minute. A call set-up fee of up to 6 pence may apply.

IE 01450 2655

US 800 944 2904 toll-free

QUELQUES REPARATEUR.COM

Consignes de sécurité et avertissements

Avant de mettre l'appareil en service

Veillez lire attentivement et entièrement les informations figurant dans les notices d'utilisation et de montage. Elle contiennent des remarques importantes concernant l'installation, l'utilisation et l'entretien de l'appareil.

Conservez toute la documentation pour pouvoir la consulter à nouveau ultérieurement ou si l'appareil doit changer un jour de propriétaire.

Sécurité technique

Cet appareil contient une petite quantité d'un fluide réfrigérant écologique mais inflammable, le R 600a. Pendant le transport et la mise en place de l'appareil, veillez à ne pas endommager les tuyauteries du circuit frigorifique. Si le fluide réfrigérant jaillit, il peut provoquer des lésions oculaires ou s'enflammer.

Si l'appareil est endommagé

- éloignez de l'appareil toute flamme nue ou source d'inflammation,
- aérez bien la pièce pendant quelques minutes,
- éteignez l'appareil puis débranchez la fiche mâle de la prise de courant,
- prévenez le service après-vente.

Plus l'appareil contient de fluide réfrigérant et plus grande doit être la pièce dans laquelle il se trouve. Dans les pièces trop petites, un mélange gaz-air inflammable peut se former en cas de fuite.

Comptez 1 m³ de volume minimum de la pièce pour 8 g de fluide réfrigérant. La quantité de fluide présente dans l'appareil est indiquée sur la plaque signalétique située à l'intérieur de ce dernier.

Si le cordon d'alimentation électrique de cet appareil a été endommagé, il faut confier son remplacement au fabricant, au service après-vente ou à une personne détenant des qualifications similaires. Les installations et réparations inexpertes peuvent engendrer des risques considérables pour l'utilisateur.

Les réparations ne pourront être réalisées que par le fabricant, le service après-vente ou une personne détenant des qualifications similaires.

Il ne faut utiliser que les pièces d'origine du fabricant. Le fabricant ne garantit que les pièces d'origine car elles seules remplissent les exigences de sécurité.

S'il faut allonger le cordon de raccordement au secteur avec un prolongateur, procurez-vous-le exclusivement auprès du service après-vente.

Pendant l'utilisation

- N'utilisez pas d'appareils électriques à l'intérieur de l'appareil (par ex. appareils de chauffage, machine à glaçons, etc.). Risque d'explosion !
- Ne dégivrez ni et ne nettoyez jamais l'appareil avec un nettoyeur à vapeur ! La vapeur risque d'atteindre des pièces électriques et de provoquer un court-circuit. Risque d'électrocution !
- Pour détacher le givre ou les couches de glace, n'utilisez jamais d'objets pointus ou présentant des arêtes vives. Vous risqueriez d'endommager les tuyaux de fluide réfrigérant. Le fluide réfrigérant en train de jaillir risque de s'enflammer ou de provoquer des lésions oculaires.
- Ne stockez dans l'appareil ni produits contenant des gaz propulseurs inflammables (par ex. bombes aérosols) ni produits explosifs. Risque d'explosion !
- Ne vous servez pas des socles, clayettes et portes comme marchepieds ou pour vous appuyer.
- Pour dégivrer et nettoyer l'appareil, débranchez la fiche mâle de la prise de courant ou retirez le fusible / désarmez le disjoncteur. Pour débrancher l'appareil, tirez sur la fiche mâle et non pas sur son cordon.
- Stockez les boissons fortement alcoolisées en position verticale dans des récipients bien fermés.
- L'huile et la graisse ne doivent pas entrer en contact avec les parties en matières plastiques et le joint de porte. Ces derniers pourraient sinon devenir poreux.
- Ne recouvrez et n'obstruez jamais les orifices de ventilation de l'appareil.
- Cet appareil ne pourra être utilisé par des personnes (enfants compris) présentant des capacités physiques, sensorielles ou psychiques restreintes ou manquant de connaissances que sous la surveillance d'une personne chargée de leur sécurité ou après que cette dernière leur aura enseigné à utiliser l'appareil.
- Dans le compartiment congélateur, ne stockez pas de boissons gazeuses en particulier, en bouteilles ou en canettes car elles éclateraient. Les bouteilles et les canettes risqueraient d'éclater !
- Ne portez jamais des produits surgelés à la bouche immédiatement après les avoir sorties du compartiment congélateur. Risque d'engelures !
- Évitez tout contact prolongé des mains avec les produits congelés, la glace ou les tubes de l'évaporateur, etc. Risque d'engelures !

Les enfants et l'appareil

- Ne confiez jamais l'emballage et ses pièces constitutives aux enfants. Ils risquent de s'étouffer avec les cartons pliants et les feuilles de plastique !
- L'appareil n'est pas un jouet pour enfants !
- Appareils équipés d'une serrure : rangez la clé hors de portée des enfants !

Dispositions générales

L'appareil convient pour

- congeler des produits alimentaires,
- préparer des glaçons.

Cet appareil est destiné à un usage domestique dans un foyer privé, et à l'environnement domestique.

L'appareil a été antiparasité conformément à la directive UE 2004/108/EC.

Le circuit frigorifique a subi un contrôle d'étanchéité.

Ce produit est conforme aux dispositions de sécurité applicables visant les appareils électriques (EN 60335-2-24).

Conseil pour la mise au rebut

Mise au rebut de l'emballage

L'emballage protège votre appareil contre les dommages susceptibles de survenir en cours de transport. Tous les matériaux qui le composent sont compatibles avec l'environnement et recyclables. Aidez-nous à éliminer l'emballage dans le respect de l'environnement.

Pour connaître les circuits actuels de mise au rebut, adressez-vous s.v.p. à votre revendeur ou à l'administration de votre commune.

Mise au rebut de l'ancien appareil

Les appareils usagés ne sont pas des déchets dénués de valeur ! Leur élimination dans le respect de l'environnement permet d'en récupérer de précieuses matières premières.



Cet appareil est marqué selon la directive européenne 2002/96/CE relative aux appareils électriques et électroniques usagés (waste electrical and electronic equipment – WEEE). La directive définit le cadre pour une reprise et une récupération des appareils usagés applicables dans les pays de la CE.

Mise en garde

Avant de mettre au rebut l'appareil qui ne sert plus :

1. Débranchez sa fiche mâle.
2. Sectionnez son câble d'alimentation et retirez-le avec la fiche mâle.
3. Pour dissuader les enfants de grimper dans l'appareil, ne retirez pas les clayettes et les bacs !
4. Ne permettez pas aux enfants de jouer avec l'appareil lorsqu'il ne sert plus. Risque d'étouffement !

Les appareils réfrigérants contiennent du fluide réfrigérant. L'isolant contient des gaz. Il faut que le fluide réfrigérant et les gaz soient éliminés dans les règles de l'art. Jusqu'à l'enlèvement de l'appareil, veillez bien à ce que son circuit frigorifique ne soit pas endommagé.

Étendue des fournitures

Après avoir déballé, vérifiez toutes les pièces pour détecter d'éventuels dégâts dus au transport.

En cas de réclamation, veuillez vous adresser au revendeur auprès duquel vous avez acquis l'appareil ou auprès de notre service après-vente.

La livraison comprend les pièces suivantes :

- Appareil indépendant
- Équipement (selon le modèle)
- Notice d'utilisation
- Notice de montage
- Carnet de service après-vente
- Pièce annexe de la garantie
- Informations relatives à la consommation d'énergie et aux bruits
- Sachet avec quincaillerie de montage

QUELCONGELA.FR.COM

Contrôler la température ambiante et l'aération

Température ambiante

L'appareil a été conçu pour une catégorie climatique précise. Suivant la catégorie climatique, l'appareil est utilisable dans les températures ambiantes suivantes.

La catégorie climatique de l'appareil figure sur sa plaque signalétique, Fig. 12.

Catégorie climatique	Température ambiante admissible
SN	+10 °C à 32 °C
N	+16 °C à 32 °C
ST	+16 °C à 38 °C
T	+16 °C à 43 °C

Remarque

L'appareil est entièrement fonctionnel à l'intérieur des limites de température ambiante prévues dans la catégorie climatique indiquée. Si un appareil de la catégorie climatique SN est utilisé à des températures ambiantes plus basses, il est possible d'exclure que l'appareil s'endommage jusqu'à une température de +5 °C.

Aération

Fig. 3

L'air entrant en contact avec la paroi arrière de l'appareil se réchauffe. L'air chaud doit pouvoir s'échapper sans obstacle. S'il ne le peut pas, le groupe frigorifique doit fonctionner plus longtemps, ce qui augmente la consommation de courant. Pour cette raison, ne recouvrez ni et n'obstruez jamais les orifices d'aération de l'appareil.

Branchement de l'appareil

Après l'installation de l'appareil en position verticale, attendez au moins une heure avant de le mettre en service. Il peut en effet arriver, pendant le transport, que l'huile présente dans le compresseur se déplace vers le circuit frigorifique.

Avant la première mise en service, nettoyez le compartiment intérieur de l'appareil. (Voir le chapitre « Nettoyage de l'appareil ».)

Branchement électrique

La prise doit être proche de l'appareil et demeurer librement accessibles même après avoir installé ce dernier.

L'appareil est conforme à la classe de protection I. Raccordez l'appareil au courant alternatif 220–240 V/50 Hz, via une prise femelle installée réglementairement et comportant un fil de terre. La prise doit être protégée par un fusible supportant un ampérage de 10 A à 16 A.

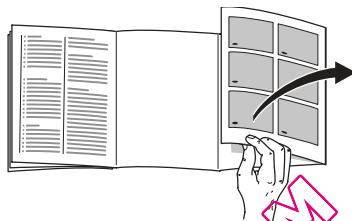
Sur les appareils qui fonctionneront dans des pays non européens, il faut vérifier que la tension et le type de courant mentionnés sur la plaque signalétique correspondent bien avec celle et celui offert par votre secteur. Vous trouverez ces indications sur la plaque signalétique. Fig. 12

Mise en garde

Il ne faut en aucun cas raccorder l'appareil à des fiches électroniques d'économie d'énergie.

Nos appareils peuvent être alimentés via des onduleurs pilotés par le secteur ou à pilotage sinusoïdal. Directement raccordées au réseau public, les installations photovoltaïques font appel à des onduleurs pilotés par le secteur. Dans les solutions en îlots (p. ex. sur les bateaux ou les refuges de montagne), ne disposant pas d'un raccordement direct au réseau électrique public, il faut utiliser des onduleurs à pilotage sinusoïdal.

Présentation de l'appareil



Veuillez déplier la dernière page, illustrée, de la notice. La présente notice d'utilisation vaut pour plusieurs modèles. L'équipement des modèles peut varier. Selon le modèle, l'appareil peut différer du contenu des illustrations.

Fig. 1

* Selon le modèle.

- 1-7 Éléments de commande
- 8 Eclairage
- 9 Système No Frost
- 10 Trappe du compartiment congélateur
- 11 Clayette en verre
- 12 Distributeur de glaçons / Boîte à pizza *
- 13 Bac à produits congelés (petit)
- 14 Grille de congélation
- 15 Bac à produits congelés (grand)
- 16 Orifice d'apport et d'évacuation d'air
- 17 Pied à vis
- 18 Accumulateurs de froid
- 19 Calendrier de congélation
- 20 Aération de la porte

Éléments de commande

Fig. 2

- 1 **L'affichage de température**
La température sur laquelle le compartiment congélateur a été réglé s'affiche.
- 2 **L'affichage d'alarme**
S'allume si la température a trop monté dans le compartiment congélateur.
Il s'éteint une fois que le compartiment congélateur a atteint la température réglée.
- 3 **Indicateur de supercongélation**
Ce voyant ne s'allume que pour indiquer que la supercongélation s'est enclenchée.
- 4 **Touche de réglage de la température**
Cette touche permet de régler la température souhaitée.
- 5 **Touche « super »**
A enclencher les fonctions Supercongélation.
Voir le chapitre « Supercongélation ».
- 6 **Touche d'alarme**
Sert à désactiver l'alarme sonore (voir le chapitre « Fonction alarme »).
- 7 **Touche Marche / Arrêt**
Il sert à allumer et éteindre l'ensemble de l'appareil.

Enclenchement de l'appareil

Allumez l'appareil par la touche Marche / Arrêt 7.

Une alarme sonore retentit. A l'affichage de température 1, la mention « AL » clignote, le voyant de la supercongélation 3 clignote et le voyant d'alarme 2 s'allume.

Appuyez sur la touche d'alarme 6. L'alarme sonore cesse de retentir et l'affichage de la supercongélation 3 s'éteint.

Une fois que l'appareil a atteint la température réglée, l'affichage de température 1 indique la température réglée. L'affichage d'alarme 2 s'éteint. Porte ouverte, l'éclairage est allumé.

Remarques concernant le fonctionnement de l'appareil

- Après son allumage, l'appareil peut avoir besoin de plusieurs heures pour atteindre la température réglée.
- Grâce au système No Frost entièrement automatique, le compartiment congélateur ne se couvre pas de givre. Il n'est pas nécessaire de dégivrer.
- L'appareil chauffe légèrement une partie de ses surfaces frontales pour empêcher une condensation d'eau dans la zone du joint de porte.
- L'appareil est équipé d'un dispositif d'aération de la porte afin qu'il ne se crée pas de dépression dans le compartiment congélateur, et que la porte de l'appareil soit constamment facile à ouvrir.

Réglage de la température

Fig. 2

Compartiment congélateur

La température est réglable entre $-16\text{ }^{\circ}\text{C}$ et $-26\text{ }^{\circ}\text{C}$.

Appuyez sur la touche de réglage de la température 4 jusqu'à ce que la température souhaitée soit réglée dans le compartiment congélateur. L'appareil mémorise la valeur réglée en dernier.

La température réglée s'affiche à l'affichage 1.

Nous recommandons de régler le compartiment congélateur sur $-18\text{ }^{\circ}\text{C}$ (réglage usine).

Fonction alarme

Éteindre l'alarme sonore

Fig. 2

Le fait d'appuyer sur la touche d'alarme 6 éteint l'alarme sonore.

Alarme relative à la porte

L'alarme de porte s'active si une porte de l'appareil reste ouverte plus d'une minute. Refermer la porte suffit pour que l'alarme sonore cesse.

Alarme de température

L'alarme de température s'enclenche lorsque la température a trop monté dans le compartiment congélateur et que les produits surgelés risquent de s'abîmer.

À l'affichage de température, Fig. 1, la mention « AL » clignote et le voyant d'alarme 2 s'allume.

Après avoir appuyé sur la touche d'alarme 6, la température la plus élevée qui a régné dans le compartiment congélateur apparaît pendant cinq secondes à l'affichage de température 1.

Ensuite, cette valeur s'efface. La mention « AL » apparaît à l'affichage de température 1 et le voyant d'alarme 2 s'allume jusqu'à ce que la température réglée soit atteinte. L'affichage de température 1 affiche ensuite la température réglée.

À partir de ce moment-là, l'appareil recommence à déterminer la température la plus élevée.

QUELCONGELATEUR.COM

L'alarme peut s'activer dans les cas suivants, sans que cela signifie que les produits congelés risquent de s'abîmer :

- lors de la mise en service de l'appareil,
- lors du rangement de grandes quantités de produits frais,
- lorsque la porte du compartiment congélateur est restée trop longtemps ouverte.

Remarque

Ne remettez pas à congeler des produits alimentaires partiellement ou entièrement décongelés. Vous pourrez les recongeler uniquement après les avoir transformés en plats pré-cuisinés (par cuisson ou rôtissage).

N'utilisez pas la durée de conservation dans son intégralité.

Contenance utile

Vous trouverez les indications relatives à la contenance utile sur la plaque signalétique de votre appareil.

Utiliser l'intégralité du volume de congélation

Pour pouvoir ranger la quantité maximale de produits congelés, vous pouvez retirer différentes pièces composant l'équipement. Il est possible d'empiler les produits alimentaires directement sur les grilles de congélation.

Remarque

Pour respecter les valeurs indiquées sur la plaque signalétique, il faudrait laisser dans l'appareil deux pièces d'équipement : la plus haute et la plus basse.

Pour retirer les pièces d'équipement

- Tirez le bac à produit congelés à vous jusqu'à la butée, soulevez-le à l'avant puis extrayez-le. Fig. 4
- Ouvrez le volet du compartiment congélateur, retenez l'un des goujons-paliers et retirez le volet. Fig. 5
- Sur les appareils avec distributeur de glaçons, il est possible de retirer ce dernier. Fig. 6
- Il est possible de retirer la clayette en verre, Fig. 11/11, et de l'insérer au dessus du bac à produits surgelés 13.

Le compartiment congélateur

Utilisation du compartiment congélateur

- Sert à ranger des produits surgelés.
- Sert à confectionner des glaçons.
- Pur congeler des produits alimentaires.

Remarque

Veillez à ce que la porte du compartiment congélateur soit correctement fermée ! Si cette porte reste ouverte, les produits surgelés dégèleront. Le compartiment congélateur se givre fortement. En outre : gaspillage d'énergie dû à une consommation élevée d'électricité !

Capacité de congélation maximale

Sur la plaquette signalétique, vous trouverez des indications concernant la capacité de congélation maximale en 24 heures (voir le chapitre « Service après-vente »).

Congélation et rangement

Achats de produits surgelés

- Leur emballage doit être intact.
- Ne dépassez pas la date-limite de conservation.
- Il faut que la température dans le congélateur bahut du supermarché soit de -18°C ou encore plus basse.
- Utilisez de préférence un sac isotherme pour le transport puis rangez les produits le plus rapidement possible dans le compartiment congélateur.

Consignes de rangement

Si il faut congeler des quantités assez importantes de produits alimentaires, utilisez de préférence le compartiment le plus haut ; ils y seront congelés à la fois très vite et en douceur. Étalez les produits alimentaires sur une grande surface dans les compartiments et dans les bacs à produits surgelés. Veillez à ce que les produits congelés n'entrent pas en contact avec des produits frais. Le cas échéant, modifiez l'empilage des produits congelés dans les bacs à produits congelés.

Introduisez le bac à produits congelés jusqu'à la butée, c'est important pour que l'air circule impeccablement dans l'appareil.

Veillez bien à ne pas placer de produits surgelés sur les fentes d'aération situées contre la paroi arrière.

Congélation de produits frais

Pour congeler les aliments, n'utilisez que des aliments frais et d'un aspect impeccable.

Il faudrait blanchir les légumes avant de les congeler, pour préserver le mieux possible leur valeur nutritive, leur arôme et leur teinte. Il n'est pas nécessaire de blanchir les aubergines, poivrons, courgettes et asperges.

Vous trouverez en librairie toute une bibliographie sur la congélation et le blanchissement.

Remarque

Veillez à ce que les produits alimentaires à congeler n'entrent pas en contact avec des produits déjà congelés.

- Se prêtent à la congélation :
Pâtisseries, poissons et fruits de mer, viande de boucherie et gibier, volaille, fruits, légumes, herbes culinaires, œufs sans la coque, produits laitiers comme le fromage, le beurre et le fromage blanc, plats précuisinés et restes de plats tels que les soupes, ragouts, la viande et le poisson cuits, les plats aux pommes de terre, les soufflés et mets sucrés.
- Ne se prêtent pas à la congélation :
Variétés de légumes habituellement dégustées crues telles que la salade ou les radis, œufs dans leur coque, raisins, pommes, poires et pêches entières, œufs cuits durs, yaourt, lait caillé, crème acidulée, crème fraîche et mayonnaise.

Emballer les surgelés

L'air ne doit pas pénétrer dans l'emballage pour que les aliments ne perdent pas leur goût ni ne sèchent pas.

1. Placez les aliments dans l'emballage.
2. Presser pour chasser l'air.
3. Obturez l'emballage hermétiquement.
4. Indiquez sur l'emballage le contenu et la date de congélation.

Emballages adaptés :

Feuilles en plastique, feuilles en polyéthylène, feuilles d'aluminium, boîtes de congélation. Vous trouverez ces produits dans le commerce spécialisé.

Emballages inadaptés :

Le papier d'emballage, le papier sulfurisé, les feuilles de cellophane, les sacs poubelles et les sacs en plastique ayant déjà servi.

Moyens d'obturation adaptés :

Caoutchoucs, clips en plastique, ficelles, rubans adhésifs résistants au froid, ou assimilés.

Vous pouvez obturer les sachets et les feuilles en polyéthylène au moyen d'une thermosoudeuse.

Durée de conservation des produits surgelés

Elle dépend de la nature des aliments.

Si la température a été réglée sur $-18\text{ }^{\circ}\text{C}$:

- Poisson, charcuterie, plats pré-cuisinés, pâtisseries :
jusqu'à 6 mois
- Fromage, volaille, viande :
jusqu'à 8 mois
- Fruits et légumes :
jusqu'à 12 mois

Supercongélation

Il faudrait congeler les produits alimentaires à cœur le plus rapidement possible afin de préserver leurs vitamines, leur valeur nutritive, leur aspect et leur goût.

Pour qu'il ne se produise pas d'augmentation indésirable de la température lorsque vous rangez des produits alimentaires frais, appuyez sur la touche de supercongélation quelques heures avant de les ranger.

S'il faut utiliser la capacité de congélation maximale, il faut enclencher la supercongélation 24 heures avant de ranger des produits frais.

Si vous ne voulez congeler que de petites quantités d'aliments (jusqu'à 2 kg), vous n'avez pas besoin d'enclencher la supercongélation.

Remarque

Si vous avez activé la supercongélation, l'appareil peut fonctionner plus bruyamment.

Allumage et extinction

Fig. 2

Appuyez sur la touche « super » 5.

Si la supercongélation est allumée, la mention « SU » apparaît à l'affichage de température 1 et le voyant de supercongélation 3 s'allume.

L'appareil fonctionne désormais en permanence. Le compartiment congélateur atteint une température très basse.

La supercongélation se désactive automatiquement au bout de 2½ jours.

Décongélation des produits

Selon la nature et l'utilisation des produits surgelés, vous pouvez choisir entre plusieurs possibilités :

- à la température ambiante,
- dans le réfrigérateur,
- dans le four électrique, avec / sans ventilateur à air chaud,
- dans le micro-ondes.

Remarque

Ne remettez pas à congeler des produits alimentaires partiellement ou entièrement décongelés. Vous pourrez les recongeler uniquement après les avoir transformés en plats pré-cuisinés (par cuisson ou rôtissage).

Dans ce cas, consommez-les nettement avant la date limite de conservation.

Équipement

(selon le modèle)

Bac à produits congelés (grand)

Fig. 1/15

Il sert à congeler et stocker les pièces volumineuses, par exemple les dindes, canards et oies.

Calendrier de congélation

Fig. 7/A

Il est important de respecter la durée de congélation autorisée pour éviter que les aliments surgelés ne s'abîment. La durée de stockage dépend de la nature de l'aliment. Les chiffres à côté des symboles indiquent en mois la durée de conservation permise pour le produit concerné. Dans le cas de produits surgelés prêts à consommer, tenez également compte de la date de fabrication ou de la limite de conservation recommandée.

Accumulateurs de froid

Fig. 7/B

Lors d'une coupure de courant ou en cas de panne, les accumulateurs de froid retardent le réchauffement des produits surgelés stockés dans l'appareil. Pour obtenir la plus longue durée de conservation, placez l'accumulateur dans le tiroir du haut, directement sur les produits alimentaires.

Pour économiser de la place, vous pouvez ranger chaque accumulateur dans le casier en contre-porte.

Vous pouvez également vous servir des accumulateurs de froid pour emporter des aliments par ex. dans un sac isotherme et les conserver ainsi au frais pendant une durée limitée.

Bac à glaçons

Fig. 8

Remplissez le bac à glaçons aux $\frac{3}{4}$ avec de l'eau, puis placez-le dans le compartiment congélateur.

Si le bac est resté collé dans le compartiment congélateur, n'utilisez qu'un instrument émoussé pour le décoller (un manche de cuiller par ex.)

Pour enlever les glaçons du bac, passez-le brièvement sous l'eau du robinet ou déformez légèrement le bac.

Distributeur de glaçons

Fig. 9

1. Extrayez le bac à glaçons, remplissez-le d'eau aux $\frac{3}{4}$ puis remettez-le en place.
2. Une fois que les glaçons se sont formés, tournez les poignées des bacs à glaçons plusieurs fois vers la droite puis relâchez-les. Les glaçons se détachent et tombent dans le bac à glace.
3. Sortez les glaçons du bac à glace.

Arrêt et remisage de l'appareil

Coupure de l'appareil

Fig. 2

Appuyez sur la touche Marche / Arrêt 7. L'indicateur de température s'éteint. Le groupe frigorifique s'éteint.

Remisage de l'appareil

Si l'appareil doit rester longtemps sans servir :

1. Éteignez l'appareil.
2. Débranchez la fiche mâle du secteur ou ramenez le disjoncteur en position éteinte.
3. Nettoyez l'appareil.
4. Laissez la porte de l'appareil ouverte.

Si vous dégivrez l'appareil

Compartiment congélateur

Grâce au système No Frost entièrement automatique, le compartiment congélateur ne se couvre pas de givre. La nécessité de dégivrer disparaît.

Nettoyage de l'appareil



Attention

- N'utilisez aucun produit de nettoyage contenant du sable, du chlorure ou de l'acide, ni aucun solvant.
- N'utilisez jamais d'éponges abrasives ou susceptibles de rayer. Des zones corrodées pourraient apparaître sur les surfaces métalliques.
- Ne nettoyez jamais les clayettes et les bacs au lave-vaisselle. Ces pièces pourraient se déformer !

Procédure :

1. Éteignez l'appareil avant de le nettoyer.
2. Débranchez la fiche mâle du secteur ou ramenez le disjoncteur en position éteinte !
3. Sortez les produits congelés et rangez-les dans un endroit frais.
4. Ne nettoyez l'appareil qu'avec un chiffon doux, de l'eau tiède et du produit à vaisselle présentant un pH neutre. L'eau de nettoyage ne doit pas pénétrer dans l'éclairage.
5. N'essuyez le joint de porte qu'avec un chiffon et de l'eau propre ; ensuite, séchez-le à fond.
6. Veillez à ce que l'eau de nettoyage ne traverse pas le trou d'écoulement et ne pénètre pas dans la zone d'évaporation.
7. Après le nettoyage : rebranchez la fiche mâle de l'appareil puis réenclenchez-le.
8. Rangez à nouveau les produits surgelés dans les tiroirs.

Economies d'énergie

- Placez l'appareil dans un local sec et aérable. Veillez à ce que l'appareil ne soit pas directement exposé aux rayons solaires et qu'il ne se trouve pas à proximité d'une source de chaleur (par ex. radiateur, cuisinière).

Utilisez le cas échéant une plaque isolante.

- N'obstruez pas les grilles d'aération de l'appareil.
- Attendez que les plats chauds aient refroidi avant de les ranger dans le compartiment congélateur !
- Rangez les produits surgelés dans le compartiment réfrigérateur pour qu'ils dégèlent. Utilisez l'excédent de froid pour refroidir les aliments.
- N'ouvrez la porte de l'appareil que le plus brièvement possible !
- Veillez à ce que la porte du compartiment congélateur soit correctement fermée.
- De temps en temps, nettoyez le dos de l'appareil avec un aspirateur ou une brosse, ceci pour éviter une hausse de la consommation d'électricité.
- Il faut un écart de 60 mm par rapport à la paroi arrière afin que l'air échauffé puisse s'échapper sans rencontrer d'obstacle.

Bruits de fonctionnement

Bruits parfaitement normaux

Bourdonnement sourd

Les moteurs tournent (par ex. groupes frigorifiques, ventilateur).

Clapotis, sifflement léger ou gargouillis

Le fluide frigorigène circule dans les tuyaux.

Cliquetis

Le moteur, les interrupteurs ou les électrovannes s'allument / s'éteignent.

Éviter la génération de bruits

L'appareil ne repose pas d'aplomb

Veillez mettre l'appareil d'aplomb à l'aide d'un niveau à bulle. Ajustez ensuite l'horizontalité par les pieds à vis ou placez un objet dessous.

L'appareil touche quelque chose

Eloignez l'appareil de meubles ou d'appareils voisins.

Les bacs ou surfaces de rangement vacillent ou se coïncent

Vérifiez les pièces amovibles puis remettez-les en place correctement.

Remédier soi même aux petites pannes

Avant d'appeler le service après-vente (SAV) :

Vérifiez svp si vous ne pouvez pas remédier vous-même au dérangement à l'aide des instructions qui suivent.

Vous éviterez des dépenses inutiles car le déplacement du technicien du SAV vous sera facturé même pendant la période de garantie.

Dérangement	Cause possible	Remède
La température dévie fortement par rapport au réglage.		<p>Dans certains cas, il suffira d'éteindre l'appareil pendant 5 minutes.</p> <p>Si la température est trop élevée, vérifiez au bout de seulement quelques heures si un rapprochement de la température a eu lieu.</p> <p>Si la température est trop basse, vérifiez à nouveau la température le lendemain.</p>
L'éclairage ne fonctionne pas.	L'ampoule est grillée.	<p>Changez l'ampoule. Fig. 10/B</p> <ol style="list-style-type: none"> 1. Éteignez l'appareil. 2. Débranchez la fiche mâle de la prise de courant et / ou ramenez le disjoncteur en position éteinte. 3. Tirez la grille en avant. 4. Changez l'ampoule (Ampoule de rechange : 220–240 V, courant alternatif, culot E14. Puissance : voir l'inscription sur l'ampoule défectueuse).
	L'interrupteur de l'éclairage est coincé.	Vérifiez s'il peut s'enfoncer. Fig. 10/A
Aucun voyant ne s'allume.	Coupure de courant ; disjoncteur disjoncté ; fiche mâle pas complètement branchée dans la prise.	<p>Branchez la fiche mâle dans la prise de courant.</p> <p>Vérifiez s'il y a du courant, vérifiez les fusibles / disjoncteurs.</p>

Dérangement	Cause possible	Remède
La zone d'affichage contient un « E.. ».	Circuit électronique défectueux.	Appeler le service après-vente.
L'alarme sonore retentit. A l'affichage de température, Fig. 2/1, la mention « AL » clignote et le voyant d'alarme 2 s'allume.	Dérangement : température excessive dans le compartiment congélateur ! Les produits surgelés risquent de s'abîmer !	Pour désactiver l'alarme sonore, appuyez sur la touche d'alarme 6. L'affichage de température 1 cesse de clignoter. A l'affichage de température 1 la température la plus élevée qui a régné dans le compartiment congélateur s'affiche pendant cinq secondes. Remarque Vous pouvez remettre à congeler les produits en partie ou intégralement dégelés à condition qu'ils ne soient pas restés dégelés (à +5 °C) plus d'un jour s'il s'agit de viande ou de poisson, ou plus de trois jours s'il s'agit d'autres produits. Si le goût, l'odeur et l'aspect n'ont pas changé, vous pouvez recongeler ces produits alimentaires après les avoir faits cuire ou rôtir. N'utilisez pas la durée de conservation dans son intégralité.
	L'appareil est ouvert.	Fermez l'appareil.
	Orifices d'entrée et de sortie d'air recouverts.	Veillez à ce que l'air puisse entrer et sortir librement.
	Vous avez mis d'un coup trop de produits à congeler.	Ne dépassez pas la capacité de congélation maximale.
		Après avoir supprimé ce dérangement, la touche d'alarme s'éteint au bout d'un certain temps.

Dérangement	Cause possible	Remède
L'affichage de température clignote. Fig. 2/1	En raison d'un dérangement, la température a trop monté à un certain moment dans le compartiment congélateur.	Après avoir appuyé sur la touche d'alarme 6, le clignotement de l'affichage de température 1 cesse. A l'affichage de température 1 la température la plus élevée qui a régné dans le compartiment congélateur s'affiche pendant cinq secondes.
Indicateur de supercongélation clignote. Fig. 2/3	<p>Coupage de courant</p> <p>Les produits alimentaires ne risquent pas de s'abîmer !</p> <p>Attention !</p> <p>Si un autre dérangement s'affiche en plus, procédez conformément à la rubrique « Remédier soi-même aux petites pannes ».</p> <p>Les produits alimentaires risquent de s'abîmer !</p>	Appuyez sur une touche quelconque. Le voyant de la mention « supercongélation » cesse de clignoter.

QUELCONGELATEUR.COM

Dérangement	Cause possible	Remède
La porte du compartiment congélateur est restée longtemps ouverte ; le compartiment congélateur n'atteint plus la température.	L'évaporateur (le générateur de froid) équipant le système No Frost est tellement givré qu'il ne peut plus se dégivrer de façon entièrement automatique.	<p>Pour dégivrer l'évaporateur, sortez les produits alimentaires dans leurs casiers et rangez-les bien isolés dans un endroit frais.</p> <p>Éteignez l'appareil et éloignez-le du mur. Laissez la porte de l'appareil ouverte.</p> <p>Au bout de 20 minutes environ, l'eau de dégivrage commence à couler dans le bac d'évaporation au dos de l'appareil. Fig. 11</p> <p>Pour éviter dans ce cas que le bac d'évaporation ne déborde, récupérez cette eau à l'aide d'une éponge.</p> <p>L'évaporateur est entièrement dégivré lorsqu'il ne coule plus d'eau de dégivrage dans le bac d'évaporation. Nettoyez le compartiment intérieur. Remettez ensuite l'appareil en service.</p>

Service après-vente

Pour connaître le service après-vente situé le plus près de chez vous, consultez l'annuaire téléphonique ou le répertoire des services après-vente (SAV). Veuillez indiquer au SAV le numéro de série (E-Nr.) de l'appareil et son numéro de fabrication (FD).

Vous trouverez ces indications sur la plaque signalétique Fig. 12

Aidez-nous à éviter des déplacements inutiles : indiquez les numéros de série et de fabrication. Vous économiserez ainsi des suppléments de frais inutiles.

Commande de réparation et conseils en cas de dérangements

Vous trouverez les données de contact pour tous les pays dans l'annuaire ci-joint du service après-vente.

FR 01 40 10 11 00
 B 070 222 141
 CH 0848 840 040

مشکل موجود	علت احتمالی	برطرف کردن مشکل
نشانگر «فریز سوپر» چشمک می زند. تصویر 2/3	شاید برق شبکه قطع است! خطری برای مواد خوراکی در میان نیست! هشدار! اگر همزمان با آن اختلال دیگری هم نشان داده شود، طبق دستور «اختلالات کوچک را خود رفع کنیم» عمل کنید. مواد خوراکی فریزر در معرض خطر است!	یکی از دکمه ها را بدخواه فشار دهید، چشمک زدن نشانگر عملکرد فریز سوپر قطع می شود.
احتمالاً در قسمت فریزر مدتی دراز باز بوده است، دستگاه نمی تواند دیگر دمای مورد نظر را تأمین کند.	موتور سرمازا در سیستم «بی یخ» بشدت یخ زده است، به طوری که دیگر نمی تواند به شکل اتوماتیک عملکرد طبیعی را انجام دهد.	برای آب شدن یخ موتور تخیخ، خوراکی های یخزده را با قفسه ها از دستگاه خارج کنید و آن ها را بحالت عایق بندی شده در جایی خنک نگهداری کنید. دستگاه را خاموش کرده و از دیوار دور کنید. در دستگاه را باز بگذارید. پس از تقریباً 20 دقیقه آب مذاب به لگن فاضلاب پشت دستگاه. تصویر 11 جاری می شود برای جلوگیری از سررفتن فاضلاب، آب داخل لگن را چندین مرتبه با یک اسفنج خارج کنید. هنگامی که دیگر هیچ آبی به لگن جاری نشد، نشانه آن است که یخ موتور آب شده است. اکنون داخل دستگاه را تمیز کنید و دستگاه را مجدداً به کار بیندازید.

سرویس دهی به مشتریان

برای یافتن آدرس نمایندگی های مجاز نزدیک به محل زندگی خود به دفترچه تلفن یا فهرست آدرس مراجعه کنید. لطفاً شماره مدل دستگاه خود (E-Nr.) و همچنین شماره ساخت (FD-Nr.) را به سرویسکار ارائه دهید. این اطلاعات را در پلاک مدل متصل شده در دستگاه مشاهده می کنید. **تصویر 12**

لطفاً به منظور جلوگیری از ایاب و ذهاب غیرضروری مأموران سرویس، اطلاعات صحیح مربوط به شماره مدل و شماره ساخت را به افراد مذکور ارائه دهید. در این صورت از پرداخت مخارج اضافی جلوگیری خواهد شد.

مراجعه به مرکز خدمات پس از فروش برای تعمیر و مشاوره در هنگام بروز اشکال

در فهرست ضمیمه نشانی مراکز خدمات پس از فروش در همه کشورهای جهان را خواهید یافت.

مشکل موجود	علت احتمالی	برطرف کردن مشکل
زنگ هشدار به صدا درآمده است. در نشانگر دما، تصویر 2/1، علامت «AL» چشمک می زند و علامت هشدار 2 روشن می شود.	نوع اختلال – شاید دمای داخل فریزر بیش از حد گرم باشد!	برای خاموش کردن صدای هشدار دکمه هشدار 6 را فشار دهید. نشانگر دمای 1 دیگر چشمک نمی زند. نشانگر دما 1 به مدت پنج ثانیه نشان می دهد که گرمترین درجه دما در فریزر چه بوده است.
	مواد خوراکی یخزده در معرض خطر است!	توجه
		مواد خوراکی یخزده که یخ شان ذوب شده یا شروع به ذوب شدن کرده اند را می توان مجددا فریز کرد به شرط آنکه گوشت و ماهی بیش از یک روز وسایر مواد یخزده بیش از سه روز در دمای 3 درجه بالا صفر سانتیگراد نمانده باشند. اگر طعم و بو و شکل مواد غذایی یخزده تغییر نکرده باشند، می توان آن ها را پخت یا سرخ کرد و سپس مجددا فریز کرد. اما در این حالت نباید دیگر از حداکثر زمان مجاز نگهداری استفاده شود.
	در دستگاه باز است.	در دستگاه را ببندید.
	شاید منافذ تهویه مسدود شده باشد. هوای داخل دستگاه بازشید.	مواظب باز بودن سوراخ های ورود و خروج هوای داخل دستگاه باشید.
	شاید در آن واحد مقادیر زیادی مواد خوراکی به داخل فریزر برای یخ زدن گذاشته اید.	از حداکثر گنجایش فریزر تجاوز نکنید.
		مدتی کوتاه پس از رفع اشکال علامت هشدار ناپدید می شود.
نشانگر دما چشمک می زند. تصویر 2/1	در اثر یک اختلالی که احيانا در زمان گذشته در فریزر پیش آمده، دمای فریزر گرم بوده است.	با فشار دادن دکمه هشدار 6 چشمک زدن نشانگر دمای 1 قطع می شود. نشانگر دما 1 به مدت پنج ثانیه نشان می دهد که گرمترین درجه دما در فریزر چه بوده است.

مشکلات کوچکی که می توان آنها را برطرف نمود

قبل از تماس تلفنی با سرویسکار دستگاه:

بررسی کنید که آیا خودتان می توانید اشکالات ایجاد شده را با توجه به نکاتی که در پایین صفحه گفته شده رفع نمایید یاخیر.

مخارج مشاوره یا حمل و نقل و سرویس دهی حتی در طول مدت گارانتی به عهده مشتری است.

مشکل موجود	علت احتمالی	برطرف کردن مشکل
اگر دمای فریزر از درجه تنظیم شده به شدت تفاوت داشته باشد.		در بعضی موارد کافی است که دستگاه را به مدت 5 دقیقه خاموش کنید. اگر دمای موجود خیلی گرم باشد، پس از چند ساعت کنترل کنید که آیا درجه دما به درجه تنظیم شده نزدیک شده است یا نه.
اگر دمای موجود سردتر باشد، یک روز پس از آن درجه دما را مجدداً کنترل کنید.		
روشنائی کار نمی کند.	لامپ سوخته یا خراب است.	لامپ معیوب را تعویض کنید. تصویر 10/B
		1. دستگاه را خاموش کنید.
		2. دوشاخه را از پریز بکشید یا فیوز را قطع کنید.
		3. حفاظ سیمی را به جلو بکشید.
		4. لامپ را تعویض کنید (مشخصات لامپ تعویضی: 220 تا 240 ولت، برق متناوب، پایه E14، اندازه وات را از روی لامپ سوخته شناسائی کنید).
	کلید لامپ گیر دارد.	کنترل کنید که آیا کلید تکان می خورد. تصویر 10/A
هیچ يك از چراغ های کنترل روشن نیست.	شاید برق رفته است؛ شاید فیوز شل شده است؛ شاید دوشاخه خوب در پریز قرار نگرفته است هیچ يك از چراغ های کنترل روشن نیست.	دوشاخه را وصل کنید و امتحان کنید که آیا برق جریان دارد، فیوز را کنترل کنید.
پانل نشاگر علامت «E..» را نشان می دهد.	شاید الکترونیک خراب باشد.	به مرکز خدمات پس از فروش مراجعه کنید.

صرفه جویی در مصرف انرژی

- دستگاه را در یک محل خشک و قابل تهویه قرار دهید. دستگاه نباید به طور مستقیم در معرض نور آفتاب و یا نزدیکی یک منبع حرارتی قرار گیرد (برای مثال بخاری یا اجاق). در صورت امکان از یک سطح عایق استفاده نمایید.
- مواظب باشید که سوراخ های ورود و خروج هوای داخل دستگاه مسدود نشود
- خوراکی ها و مایعات گرم را ابتداء پس از خنک شدن کامل به داخل دستگاه بگذارید.
- جهت یخزدایی غذاهای منجمد ابتدا آنها را در محفظه یخچال قرار دهید. در این صورت می توان از سرمای آنها برای سرد شدن بیشتر محفظه سرد کننده دستگاه استفاده نمود.
- درب یخچال را تنها به مدت بسیار کوتاهی باز نگهدارید.
- مواظب باشید که در فریزر همیشه بسته باشد.
- قسمت پشت دستگاه را مرتب با جاروبرقی یا یک برس تمیز کنید تا بدین وسیله از مصرف اضافی برق جلوگیری شود.
- پشت دستگاه باید 60 میلیمتر تا دیوار فاصله داشته باشد. تا هوای گرم شده پشت آن بتواند بدون مانع خارج شود.

صداهای ناشی از کارکرد دستگاه

صداهای کاملاً طبیعی

صدائی شبیه «غُرُونْد»

موتورها دارند کار می کنند (مثلاً ماشین سرمازا، دستگاه دمنده)

صدای «پولوق پولوق»، «وز وز» و «غَرَّغَره»

از گردش ماده سرمازا در لوله ها ایجاد می شود.

صدای تَک تَک

موتور، کلید یا سوپاپ های مغناطیسی خاموش و روشن می شوند.

صداهایی که به آسانی برطرف می شود

دستگاه تراز نیست

لطفاً دستگاه را به کمک يك وسیله تراز کنید. در این موارد از پیچ های پایه دستگاه استفاده کنید یا چیزی زیر آن بگذارید.

دستگاه «لَم» داده است

لطفاً دستگاه را از مبل یا چیزهایی که به آن لم داده، دور کنید.

جعبه ها یا فقسه لق شده اند یا گیر کرده اند.

لطفاً همه قطعات جداسدنی را از جای شان بردارید و آن ها مجدداً نصب کنید.

خاموش کردن و عدم استفاده از دستگاه برای مدت طولانی

خاموش کردن دستگاه

تصویر 2

دکمه خاموش/روشن (دکمه اصلی 7 را فشار دهید.
نشانگر دما محو می شود و موتور دستگاه متوقف می
شود.

حالت عدم استفاده

اگر قصد دارید از دستگاه برای مدت طولانی استفاده نکنید:

1. دستگاه را خاموش کنید.
2. جریان برق را با در آوردن دو شاخه قطع نموده و یا فیوز
را قطع نمایید.
3. دستگاه را تمیز کنید.
4. درب دستگاه را باز نگه دارید.

تمیز نمودن دستگاه

⚠ توجه

- هرگز از مواد پاک کننده ماسه ای یا سابنده یا اسیدی
یا مواد حلال استفاده نکنید.
- هرگز از ابر های سایبند یا خراشنده استفاده نکنید. در
سطوح فلزی دستگاه ممکن است خوردگی یا ساییدگی
ایجاد شود.
- هرگز قفسه ها یا ظروف دستگاه را در ماشین
ظرفشویی شستشو ندهید. این قطعات ممکن است در
ماشین ظرفشویی تغییر فرم دهند!

به ترتیب زیر عمل کنید:

1. قبل از شروع نظافت، دستگاه را خاموش کنید.
2. پرز را از برق بکشید یا فیوز آن را قطع کنید!
3. مواد خوراکی یخزده را از دستگاه خارج کرده و در جایی
خنک نگهداری کنید.
4. دستگاه را با یک پارچه نرم و آب ولرم و با اندکی مایع
ظرفشویی ملایم پاک کنید. آب شستشو نباید به
قسمت روشنایی دستگاه برسد.
5. آب بندی های در را فقط با آب خالص پاک کنید و سپس
بافت با کشیدن دستمال خشک کنید.
6. مواظب باشید که آب شستشو از طریق سوراخ
فاضلاب به قسمت تبخیر دستگاه جاری نشود.
7. پس از تمیز کردن، دستگاه را مجدداً به برق وصل کرده
و روشن کنید.
8. خوراکی های یخزده را مجدداً در فریزر بگذارید.

یخزدائی

فضای فریزر

در اثر سیستم اتوماتیک «بی یخ» فضای داخلی فریزر بدون
یخ و برفک می ماند. به همین جهت دیگر هیچ نیاز به
یخزدائی (دیفرایز) نیست.

باتری سرما

تصویر 7/B

باتری سرما در مواقع قطع احتمالی برق یا اختلال فنی باعث تعویق گرم شدن مواد یخ زده می شود. برای این که به مؤثرترین شکل از ذوب شدن یخ مواد خوراکی جلوگیری کنیم، بهتر است که باتری سرما را در بالاترین قفسه فریزر مستقیماً روی مواد خوراکی بگذاریم.

برای صرفه جویی در جا، می توان باتری سرما را در جاسازی توی در گذاشت.

باتری سرما را همچنین می توان برای خنک نگهداشتن مواد غذایی موقتا از فریزر خارج کرد و در یخچال دستی گذاشت.

ظرف یخ

تصویر 8

ظرف یخ را تا سه چهارم ظرفیت آن با آب پر کنید و به داخل فریزر بگذارید.

اگر ظرف یخ به کف قفسه فریزر چسبیده باشد، فقط با یک وسیله کُند (مانند دسته قاشق) آن را جدا کنید.

برای جدا کردن حبه های یخ، ظرف یخ را مدتی کوتاه زیر آب روان بگیرید یا آن را اندکی پیچانید.

تولید یخ

تصویر 9

1. ظرف یخ را از فریزر بردارید و تا سه چهارم ظرفیت آن را با آب پر کنید و مجدداً آن را در فریزر بگذارید.
2. هنگامی که حبه ها کاملاً یخ زدند، گیره ظرف یخ را چندبار به طرف راست بچرخانید و سپس ول کنید. حبه های یخ جدا می شوند و در کاسه یخدان می ریزند.
3. حالا یخ مورد نیازتان می توانید از کاسه یخدان بردارید.

یخزدایی مواد منجمد

جهت یخزدایی مواد منجمد می توان یکی از کارهای زیر را نسبت به مورد استفاده انجام داد:

- قراردادن مواد غذایی در دمای اطاق
- قرار دادن مواد غذایی در یخچال
- قرار دادن مواد غذایی در اجاق برقی با یا بدون استفاده از هوای گرم
- قرار دادن مواد غذایی درون میکروفر.

هشدار

مواد غذایی از انجماد خارج شده را مجدداً فریز ننمایید. تنها پس از کار بر روی این مواد یخزدایی (سرخ کردن) می توان این مواد را مجدداً فریز نمود.

در این صورت نباید از حداکثر درجه انجماد استفاده نمود.

تجهیزات

(در همه مدل ها نیست)

جعبه خوراکی های یخزده (بزرگ)

تصویر 15/A

برای فریز کردن و انباشتن مقادیر بزرگ خوراکی های یخزده مانند بوقلمون، اردک و غاز.

تقویم فریزر

تصویر 7/A

برای جلوگیری از افت کیفیت خوراکی های یخزده، شایان اهمیت است که تاریخ نگهداری و مصرف تعیین شده رعایت شود. طول زمان مجاز خوراکی های یخزده بستگی به نوع خوراکی دارد. اعداد مندرج در کنار سمبل ها اعداد ماه های زمان مجاز نگهداری آن ماده یخزده در فریزر است. در مورد غذاهای یخزده آماده ای که از بازار می خرید، به تاریخ تولید یا مصرف آن دقت کنید.

بسته بندی مواد یخزده

با این کار مزه آنها حفظ شده و از خشک شدن آنها جلوگیری می شود.

1. مواد غذایی را درون پاکت بسته بندی قرار دهید.
2. هوا را بطور کامل با فشار خارج نمایید.
3. در بسته را خوب ببندید.
4. بر روی بسته بندی نام محتوا و تاریخ بسته بندی را بنویسید.

مواد نامناسب برای استفاده جهت بسته بندی:

کاغذهای ضخیم، کاغذ پرکامنت، سلوفان، کیسه زبانه و کیسه خرید استفاده شده

مواد مناسب جهت بسته بندی

فویل های ساخته شده از مواد مصنوعی، فویل های لوله ای ساخته شده از پلی اتیلن، فویل های آلومینیومی و قوطی های مخصوص فریزر. مواد مذکور در مغازه های مربوطه یافت می شوند.

مواد مناسب برای محکم کردن درب بسته بندی:

بست یا کلیپس های ساخته شده از مواد مصنوعی، حلقه های لاستیکی، نخ های بسته بندی، نوار چسب های مقاوم در برابر سرما و غیره. شما می توانید کیسه و فویل های پلی اتیلنی را با دستگاه مسدود کننده کیسه های فویلی مسدود نمایید.

زمان نگهداری مواد غذایی

این زمان بستگی به نوع ماده غذایی دارد و با درجه حرارت متوسط به ترتیب زیر می باشد 18- درجه سانتی:

- ماهی، سوسیس، غذاهای آماده و شیرینی ها:
تا حداکثر 6 ماه
- پنیر، گوشت پرندگان، مرغ و گوشت:
تا حداکثر 8 ماه
- سبزی و میوه:
تا حداکثر 12 ماه

«فریز سوپر» (یخ زدن بسیار عالی)

مواد خوراکی باید هرچه سریع تر و بطور کامل یخ بزنند. تنها به این صورت ویتامین ها و ارزش غذایی و شکل و طعم آن ها حفظ می شود.

برای این که در هنگام فریز کردن مواد خوراکی تازه دمای فریزر به صورت نامطلوب گرم نشود، باید چند ساعت پیش از قرار دادن مواد خوراکی جدید به داخل فریزر، درجه «سوپرفریز» را فعال کنید.

اگر خواسته باشید که از حداکثر ظرفیت فریزر استفاده کنید، باید عملکرد «فریز عالی» (سوپر) را 24 ساعت قبل از گذاشتن خوراکی های تازه به داخل فریزر فعال کنید.

اما مواد خوراکی در اندازه های کم (تا 2 کیلوگرم) را می توان بدون استفاده از درجه «سوپرفریز» به داخل فریزر گذاشت.

هشدار

در مواقعی که عملکرد «فریز عالی» (سوپر) فعال باشد، ممکن است سروصدای دستگاه بیشتر باشد.

روشن و خاموش کردن حالت «فریز سوپر»

تصویر 2

دکمه سوپر 5 را فشار دهید.

حال اگر عملکرد «فریز عالی» (سوپر) فعال باشد، نشانگر دمای 1 علامت «S1» را نشان می دهد و چراغ عملکرد سوپر 3 روشن می شود.

دستگاه پس از فعال شدن این عملکرد، بطور دائم کار می کند و دمای فریزر بسیار سرد می شود.

حالت «فریز سوپر» پس از تقریباً 2½ روز به طور اتوماتیک به حالت عادی برمی گردد.

فریز کردن مواد خوراکی تازه

تنها مواد تازه و سالم را جهت انجماد انتخاب کنید.

برای این که ارزش غذایی، عطر و رنگ خوراکی تا سرحد ممکن حفظ شود، بهتر است که سبزیجات را قبل از فریز کردن در آب جوش غوطه ور (بالانش) کنید. این کار در مورد بادمجان، فلفل دله (پاپریکا)، کدو خورشیدی و مارچوبه لازم نیست.

کتاب های مربوط به روش فریز کردن و بالانش کردن، در کتابفروشی های تخصصی عرضه می شود.

هشدار

مواد آماده برای انجماد را با مواد غذایی منجمد در یک محل قرار ندهید، مواد غذایی را قبل از انجماد طوری بسته بندی کنید که هوا وارد نشود.

خوراکی های مناسب برای فریز کردن:

کیک و شیرینی تازه، ماهی و خوراکی های دریایی، گوشت، گوشت شکار، گوشت پرندگان، سبزیجات، میوه، گیاهان ادویه ای، زرده و سفیده تخم مرغ بدون پوست، لبنیات مانند پنیر، کره و پنیر تازه، غذای آماده، باقیمانده غذا نظیر سوپ، آش، گوشت و ماهی پخته، سبوفله و خوراکی های شیرین.

خوراکی های نامناسب برای فریز کردن:

سبزیجاتی که معمولاً آن را خام می خورند، مانند کاهوهای سالاد، تربچه، تخم مرغ کامل، انگور، سیب درسته، گلابی و هلو، تخم مرغ پخته سفت، ماست، شیر، خامه ترش، سرشیر و مایونیز.

حداکثر گنجایش فریزر

اطلاعات مربوط به حداکثر گنجایش فریزر در مدت 24 ساعت در تابلو مشخصات مندرج است.

فریز کردن و انبار کردن مواد غذایی

خرید مواد خوراکی یخ زده

- بسته بندی نباید صدمه دیده باشد.
- تاریخ مصرف باید در نظر گرفته شود.
- درجه حرارت در محفظه فروش مواد غذایی منجمد باید 18- درجه سانتی گراد یا حتی کمتر باشد.
- حتی الامکان مواد مذکور را در یک کیسه عایق حمل نموده و به سرعت آنها را در فریزر قرار دهید.

در هنگام چیدن مواد خوراکی

در دستگاه توجه کنید

مواد خوراکی در اندازه های بزرگ را در بالاترین قفسه فریزر کنید، چون در آنجا مواد خوراکی سریعتر یخ می زنند و نتیجتاً ارزش غذایی آن ها بهتر نگهداری می شود. خوراکی ها را به صورت پهن در قفسه ها و جعبه قرار دهید. خوراکی هائی که قبلاً یخ زده، نباید با خوراکی هائی که تازه در فریزر می گذارید تماس شوند. در صورت لزوم خوراکی های کاملاً یخ زده را در جعبه فریزر تلمبار کنید.

برای این که گردش هوا بدرستی در داخل فریزر انجام گیرد، باید ظروف داخل فریزر را طوری به داخل فشار داد که خوب جا بیفتد.

منافع تهویه در جداره عقب فریزر را با مواد خوراکی مسدود نکنید!

زنگ هشدار دما

در مواقعی که دمای داخل فریزر گرم باشد و خوراکی های یخ زده در معرض خطر باشند، زنگ هشدار دما به صدا می آید.

در نشانگر دمای 1 علامت «AL» چشمک می زند و علامت هشدار 2 روشن می شود.

پس از فشار دادن دکمه هشدار 6، نشانگر دمای 1 به مدت پنج ثانیه، گرم ترین درجه دمائی را که در داخل فریزر حکمفرما بوده، نشان می دهد.

پس از پنج ثانیه این عدد، نشانگر محو می شود. در نشانگر دمای 1 علامت «AL» نمایان می شود و علامت هشدار 2 روشن می شود. تا دمای دستگاه به درجه تنظیم شده برسد. آنگاه نشانگر دمای 1 درجه دمای تنظیم شده را نشان می دهد.

از این لحظه به بعد گرمترین درجه دما از دو سنسور و در حافظه دستگاه ذخیره می شود.

صدای زنگ هشدار دما ممکن است بدون این که خطری برای مواد یخزده باشد، در موارد زیر هم بلند شود:

- در هنگام به راه اندازی دستگاه.
- در هنگام فریز کردن مقادیر زیاد خوراکی.
- در هنگامی که درب فریزر مدتی دراز باز بماند.

هشدار

مواد غذایی از انجماد خارج شده را مجدداً فریز ننمایید. تنها پس از کار بر روی این مواد (پختن یا سرخ کردن) می توان این مواد را مجدداً فریز نمود.

در این صورت نباید از حداکثر درجه انجماد استفاده نمود.

حجم مفید

اطلاعات مربوط به حجم مفید دستگاه را می توانید در پلاک مدل نصب شده در داخل دستگاه مشاهده کنید.

از ظرفیت فریزر به طور کامل استفاده کنید

برای استفاده از حجم کامل فریزر می توان بعضی از تجهیزات داخلی آن را برداشت. در این صورت مواد غذایی را مستقیماً روی سبد فریزر انباشت کنید.

هشدار

برای رعایت اندازه های تعیین شده در تابلو مشخصات توصیه می شود که قسمت سقف و کف قفسه فریزر را از دستگاه خارج نکنید.

برداشتن تجهیزات داخلی فریزر

■ جعبه خوراکی های یخزده را تا نقطه گیر بیرون بکشید و سپس آن را از جلو کمی بلند کرده و خارج کنید. تصویر 4

■ درجه فریزر را باز کنید و یکی از ضامن ها را نگهدارید. درجه را از آن خارج کنید. تصویر 5

■ درجه های دارای تجهیزات یخساز هم می توان این تجهیزات را از آن خارج کرد. تصویر 6

■ قفسه های بسته ای، تصویر 11/1، را می توانید از دستگاه خارج کرده و روی جعبه خوراکی 13 قرار دهید.

فضای فریزر

استفاده از فضای فریزر

- برای نگهداری خوراکی های یخزده
- برای تهیه یخ حبه ای
- برای فریز کردن مواد خوراکی

هشدار

مراقب باشید که درب فریزر همیشه بسته باشد! گر در فریزر باز بماند، یخ مواد خوراکی ذوب می شود و داخل فریزر به شدت برفک و یخ می زند. علاوه براین: در اثر مصرف زیاد برق انرژی به هدر می رود.

روشن کردن دستگاه

با کلید «روشن/خاموش» 7 دستگاه را روشن کنید.

زنگ هشدار به صدا در می آید. در نشانگر دمای 1 علامت

چشمک می زند و نشانگر عملکرد «AL» (سوپر) 3

چشمک می زند و علامت هشدار 2 روشن می شود.

دکمه هشدار 6 را فشار دهید.

صدای صوت خطر ساکت می شود و نشانگر فریز سوپر 3

خاموش می شود.

همین که دستگاه به درجه دمای تنظیم شده برسد،

نشانگر دمای 1، درجه تنظیم شده دما را نشان می دهد.

نشانگر هشدار 2 خاموش می شود.

در هنگام باز شدن در دستگاه چراغ روشنایی روشن می

شود.

تنظیم درجه حرارت

تصویر 2

فضای فریزر

دمای دستگاه از منهای 16- درجه سانتیگراد تا منهای

26- درجه سانتیگراد قابل تنظیم است.

دکمه تنظیم دما 4 را آنقدر مکرر فشار دهید تا روی درجه

دمای مورد نظرتان قرار گیرد. درجه ای که اخیراً در صفحه

ظاهر شد، در حافظه دستگاه ذخیره می شود.

درجه دمائی که انتخاب کرده اید، در نشانگر 1 ظاهر می شود.

دمای پیشنهادی از طرف کارخانه منهای 18- درجه

سانتیگراد است.

عملکرد هشدار

خاموش کردن زنگ خطر

تصویر 2

با فشار دادن دکمه هشدار 6 صدای زنگ هشدار خاموش

می شود.

زنگ هشدار در

زنگ هشدار در هنگامی به صدا در می آید که یکی از درها

بیش از یک دقیقه باز بماند. با بسته شدن در صدای زنگ

هشدار خاموش می شود.

تذکراتی در باره کارکرد دستگاه

■ پس از روشن کردن دستگاه ممکن است ساعت ها طول

بکشد، تا دمای دستگاه به درجه تنظیم شده برسد.

■ در اثر سیستم اتوماتیک «بی یخ» قفسه های داخل

فریزر و یخچال همواره بدون برفک می ماند و در نتیجه

نیازی به یخزدائی (دیفرایز) نیست.

■ بخشی از قسمت جلوی دستگاه اندکی گرم می

شود، تا از ایجاد عرق و رطوبت در قسمت آب بندی درب

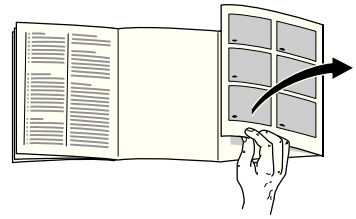
دستگاه جلوگیری شود.

■ این دستگاه، به سیستم تهویه در مجهز شده، تا در

محوطه داخل فریزر افت فشار ایجاد نشود و در دستگاه

همیشه قابل باز کردن باشد.

آشنایی با دستگاه



تابلوی راهنمای کاربرد

تصویر 2

1 نشانگر دما

نشان دهنده درجه دمای تنظیم شده فریزر است.

2 علامت هشدار

این چراغک، هنگامی که دمای فریزر بیش از حد گرم باشد، روشن می شود.

این علامت هشدار هنگامی که درجه دمای فریزر به درجه تنظیم شده برسد، خاموش می شود.

3 چراغک «فریز سوپر» (یخ زدن بسیار عالی)

این چراغک زمانی روشن می شود که حالت «فریز سوپر» (یخ زدن بسیار عالی) فعال باشد.

4 دکمه تنظیم دما

با این دکمه می توان دمای دلخواه را تنظیم کرد.

5 دکمه «فریز سوپر»

برای فعال کردن عملکرد «فریز عالی» (سوپر) به فصل «فریز عالی» (سوپر) در دفترچه راهنما مراجعه کنید.

6 دکمه هشدار دما

این دکمه برای خاموش کردن هشدار صوتی است (توضیحات بیشتر در بخش «هشدار صوتی»).

7 دکمه خاموش/روشن دستگاه

این دکمه برای روشن و خاموش کردن کل دستگاه است.

لطفا صفحه آخر دفترچه را باز کرده و به تصاویر آن نگاه کنید. این دفترچه راهنمای مصرف برای چند مدل مختلف تدوین شده است.

تجهیزات مدل های مختلف ممکن است باهم متفاوت باشند. بنابراین امکان تفاوت هائی در تجهیزات و جزئیات با تصاویر عرضه شده وجود دارد.

تصویر 1

* در همه مدل ها نیست

1-7 بلوی راهنما و مشخصات

8 روشنایی دیود نورافشان

9 سیستم «بی یخ»

10 دریچه قفسه فریزر

11 قفسه های شیشه ای

12 تهیه یخ حبه ای/جعبه پیتزا *

13 جعبه خوراکی های یخزده (کوچک)

14 قفسه سیمی فریزر

15 جعبه خوراکی های یخزده (بزرگ)

16 سوراخ ورود و خروج هوا

17 پیچ تراز پایه

18 باتری سرما

19 تقویم فریزر

20 سوراخ تهویه روی در

چگونگی اتصال دستگاه

بعد از استقرار دستگاه و قبل از اتصال آن به برق باید حداقل 1 ساعت صبر کنید، چون ممکن است در خلال حمل و نقل روغن داخل کمپرسور به سیستم سردکننده سرایت کرده باشد.
در حین حمل احتمال دارد که روغن موجود در کمپرسور در سیستم سرد کننده جمع گردد.

اتصال به شبکه برق

پریز برق باید نزدیک به دستگاه و حداکثر تا 3 متر از نصب دستگاه هم به خوبی در دسترس باشد.

این دستگاه منطبق است با استاندارد ایمنی درجه 1. این دستگاه را از طریق پریز مجهز به اتصال محافظ زمین که مطابق مقررات مونتاژ شده باشد، به برق متناوب 220 تا 240 ولت/50 هرتس وصل کنید. پریز برق باید دارای فیوز 10 تا 16 آمپر باشد.

جهت دستگاه هایی که در کشورهای غیراروپایی مورد استفاده قرار می گیرند، باید به پلاک مدل نصب شده در دستگاه مراجعه کنید تا مشخص گردد که آیا مشخصات داده شده در مورد ولتاژ برق با آنچه در کشور شما متداول است تطبیق می نماید یا خیر. این اطلاعات در تابلو مشخصات مندرج است. تصویر 12



این دستگاه هرگز نباید بوسیله دوشاخه الکترونیکی صرفه جوی انرژی به برق وصل شود.

برای راه اندازی دستگاه های سبک ساخت کارخانه ما می توان از مبدل های سینوسی و متصل به برق استفاده کرد. مبدل های متصل به شبکه برق را می توان در مورد تجهیزات انرژی خورشیدی که به شبکه برق جهانی عمومی وصل می شوند، مورد استفاده قرار داد. اطمینان هنگام استفاده از سیستم برق خصوصی خودکفا (مثلاً برای کشتی یا ویلا کوهستانی)، که دارای انشعاب از شبکه برق رسانی عمومی نیستند، باید از مبدل سینوسی استفاده شود.

به دمای محیط و تهویه آن

توجه کنید

دمای محیط

این دستگاه برای منطقه جوی خاصی برنامه ریزی شده است. بسته به نوع منطقه جوی می توان این دستگاه را در دماهای زیر به کار انداخت.

نوع منطقه جوی در تابلو مشخصات مندرج است.

تصویر 12

نوع محیط	درجه حرارت مجاز
SN	10 تا 32 درجه سانتیگراد
N	+16 تا 32 درجه سانتیگراد
ST	+16 تا 38 درجه سانتیگراد
T	+16 تا 43 درجه سانتیگراد

هشدار

این دستگاه در محدوده های دما که در جدول بندی منطقه های جوی اعلام شده، بخوبی کار می کند. اگر دستگاهی را که برای منطقه جوی SN ساخته شده، در دمای سردتر به کار بیاورید، آسیب هائی که به دستگاه وارد می شود تا میزان +5 سانتیگراد می تواند مشمول ضمانت باشد.

تهویه

تصویر 3

ورود و خروج هوای سیستم سرد کننده تنها از طریق دریچه هوای موجود در پایه دستگاه میسر است. به هیچ وجه نباید دریچه هوا بسته و یا چیزی در جلوی آن قرار داده شود، در غیر این صورت سیستم سرد کننده بیش از حد معمول فعال می شود که سبب افزایش مصرف برق خواهد شد.

چگونگی دفع مواد زائد

دفع مواد بسته بندی

بسته بندی دستگاه جهت جلوگیری از خسارت به دستگاه شما می باشد. کلیه مواد موجود در بسته بندی غیرآلاینده بوده و قابل استفاده مجدد می باشند. لطفاً همکاری نموده و این مواد را مطابق با مقررات زیست محیطی دفع نمایید. لطفاً جهت چگونگی دفع این مواد با روش مدرن، اطلاعات لازم را از فروشنده و یا از شهرداری محل خود کسب نمایید.

چگونگی دفع دستگاه های قدیمی

دستگاه های قدیمی زباله می آید و روش محسوب نمی شوند. با روش صحیح دفع مطابق با مقررات زیست محیطی می توان مواد خام با ارزشی را بازیافت کرد.

این دستگاه مطابق با مقررات اروپایی شماره 2002/96/EG برای دستگاه های برقی و الکترونیکی در مورد

(waste electrical and electronic equipment – WEEE)

می باشد. این اساسنامه در سراسر اتحادیه اروپا چارچوبی را جهت بازیافت گسترده مواد زائد و دستگاه های قدیمی ارائه می نماید.

هشدار

پس از غیر قابل استفاده شدن دستگاه

1. دوشاخه را از برق بیرون بکشید.
2. کابل را قطع نموده و سیم برق را جدا کنید.

3. قفسه ها و جعبه ها را از دستگاه خارج نکنید تا کودکان نتوانند به داخل دستگاه بروند.

4. نگذارید کودکان با دستگاه های از کارافتاده بازی کنند. خطر خفگی در داخل دستگاه!

دستگاه های سرد کننده دارای مواد سرد کننده بوده و در قسمت عایق بندی شده نیز گاز وجود دارد. مواد سرد کننده و گاز موجود باید با روشی تخصصی دفع گردند. لوله های چرخش مواد سرد کننده تا زمان دفع تخصصی آنها توسط افراد متخصص باید سالم بمانند.

محتویات بسته کالا

پس از باز کردن بسته بررسی کنید که هیچ یک از قطعات داخل آن در هنگام حمل و نقل آسیبی ندیده باشد.

در صورت مشاهده اشکال به فروشنده ای که دستگاه را از او خریده اید یا مرکز خدمات پس از فروش برای رفع اشکال مراجعه کنید.

بسته دستگاه شامل قطعات زیر است:

- دستگاه استاندارد
- تجهیزات دستگاه (بسته به نوع مدل)
- دفترچه راهنمای استفاده
- دفترچه راهنمای مونتاژ
- فهرست مراکز خدمات پس از فروش
- برگه ضمانت
- اطلاعاتی در باره مصرف انرژی و صداهای دستگاه
- پاکت حاوی وسائل مونتاژ

وجود کودکان در خانه

- مواد بسته بندی و قطعات آن را در اختیار کودکان نگذارید. خطر خفگی بوسیله کارتون های ناشو و مشماهای بسته بندی وجود دارد!
- این دستگاه اسباب بازی کودکان نیست!
- در مورد دستگاه هائی که درشان قفل دارد: کلید را دور از دسترس کودکان نگهداری کنید!

مقررات کلی

این دستگاه برای مصارف زیر مناسب است:

- برای فریز کردن مواد خوراکی،
 - برای تهیه یخ.
- استفاده از این دستگاه فقط در مصارف خانگی و استفاده شخصی و در محیط خانگی مجاز است.
- این دستگاه فقط برای مصارف خانگی تولید شده است.
- این دستگاه مطابق استاندارد شماره (2004/108/EC) اتحادیه اروپا دارای امکان عدم اخلال امواج رادیویی است.
- چرخش مواد سردکننده از نقطه نظر عدم نشست مورد آزمایش قرار گرفته است.
- این دستگاه مطابق مقررات معتبر مربوط به ایمنی دستگاه های الکتریکی (EN 60335-2-24) ساخته شده است.

- از پایه دستگاه، قطعات کشوئی، درب ها و غیره بعنوان رکاب برای تکیه دادن و بالا رفتن استفاده نکنید.
- هنگام یخزدایی و تمیز کردن دستگاه، آن را از برق جدا کرده یا فیوز را قطع نمایید. دوشاخه را از پریز جدا کنید، کابل را نکشید.
- درب مواد حاوی الکل زیاد را فقط محکم بسته و بحالت ایستاده نگهداری کنید.
- قسمت های لاستیکی و درزگیرهای درب را با روغن یا چربی آغشته نکنید. در غیر اینصورت، قسمت های مذکور متخلخل می شوند.
- دریچه های ورود و خروج هوا را هرگز مسدود و یا بسته نگه ندارید.
- استفاده از این دستگاه توسط اشخاصی (با شمول کودکان) که دارای محدودیت جسمی یا روحی یا حساس باشند یا از اطلاعات کمتری برخوردارند فقط زیر نظر یا راهنمایی کامل اشخاص صلاحیت دار که مسئولیت ایمنی آنان را به عهده دارند، مجاز است.
- هرگز مایعات را در شیشه یا قوطی کنسرو در فریزر نگهداری نکنید (به ویژه نوشیدنی های حاوی گاز کربنیک) در غیر این صورت خطر ترکیدن شیشه یا کنسرو وجود دارد.
- هرگز مواد یخزده را بلافاصله پس از خروج از فریزر وارد دهان ننمایید.
- خطر سوزش ناشی از مواد یخزده!
- از تماس طولانی دست با مواد یخ زده، یخ و یا لوله های تبخیر فریزر و غیره خودداری کنید.
- خطر سوزش ناشی از مواد یخزده!

دستورالعمل های ایمنی و هشدارها

قبل از شروع به کار و استفاده از دستگاه

دستورالعمل های استفاده از دستگاه و چگونگی نصب قطعات آن را به دقت مطالعه نمایید. این دستورالعمل ها حاوی اطلاعات مهمی در مورد چگونگی نصب، استفاده و نگهداری دستگاه می باشند.

کلیه دستورالعمل ها را جهت استفاده بعدی یا برای استفاده صاحب بعدی دستگاه نگهداری کنید.

امنیت تکنیکی

این دستگاه به مقدار کم حاوی ماده سرد کننده قابل اشتعال R600a می باشد که با فوآنژن نسبت محیطی مطابقت دارد. بنابراین مراقب باشید که لوله های پرخش مواد سرد کننده هنگام حمل و نقل و نصب قطعات دستگاه آسیب نبینند. پاشیده شدن مواد سرد کننده به بیرون، سبب آسیب دیدن چشم و یا عفونی شدن آن می گردد.

در صورت آسیب دیدن این لوله ها به نکات زیر توجه کنید

- آتش و یا منبع ایجاد آتش را از دستگاه دور نگه دارید.
- به مدت چند دقیقه فضا را تهویه نمایید.
- دستگاه را خاموش کرده و دوشاخه را از پریز بکشید.
- بخش خدمات دستگاه را از جریان مطلع نمایید.

هرقدر میزان مواد سردکننده در دستگاه بیشتر باشد، به همان نسبت باید فضای دربرگیرنده دستگاه بزرگتر باشد- در یک فضای کوچک، در صورت نشستن، مخلوطی ازگاز و هوای قابل اشتعال تشکیل می گردد.

به ازای هر هشت گرم مواد سردکننده باید محل قراردادن دستگاه حداقل یک متر مکعب فضا داشته باشد. مقدار مواد سرد کننده دستگاه شما در داخل صفحه مشخص کننده نوع دستگاه نوشته شده است.

اگر کابل برق دستگاه آسیب دیده باشد، باید توسط سازنده دستگاه، یا مرکز خدمات پس از فروش یا اشخاص با صلاحیت مشابه، تعویض گردد.

عملیات تعویضی یا تعمیری دستگاه توسط اشخاص بی صلاحیت ممکن است منجر به خطرات مهم برای مصرف کننده دستگاه بشود.

تعمیر دستگاه فقط توسط سازنده دستگاه یا مرکز خدمات پس از فروش یا اشخاص با صلاحیت مشابه مجاز است.

فقط استفاده از لوازم یدکی اورجینال سازنده دستگاه مجاز است. فقط در صورت استفاده از این لوازم یدکی، سازنده تأمین حداکثر ایمنی دستگاه را ضمانت می کند.

سیم رابط دستگاه فقط از مرکزخدمات پس از فروش قابل تهیه است.

هنگام استفاده از دستگاه به نکات زیر

توجه کنید

- هرگز دستگاه های برقی دیگر را در داخل این دستگاه بکار نگیرید (بطور مثال دستگاه گرم کننده، یخ ساز برقی و غیره).
- خطر انفجار!
- هرگز جهت یخزدایی یا تمیزکردن دستگاه از دستگاه بخارشور استفاده نکنید. در این صورت، بخار به درون بخش های الکتریکی نفوذ کرده و منجر به قطع برق می گردد.
- خطر برق گرفتگی!
- هرگز برای زدودن لایه های تازک یخ یا جدا کردن مواد یخزده که به دیواره فریزر چسبیده اند، از چاقو یا اجسام تیز استفاده نکنید. این امر می تواند به آسیب دیدن لوله های مواد سردکننده منجر گردد. نشستن مواد سرد کننده، عفونی شدن و یا صدمه دیدن چشم را در پی دارد.
- هرگز دستگاه را با گازهای قابل اشتعال نظیر اسپری ها و همچنین مواد منفجر شونده در یک محل انبار نکنید. خطر انفجار!

العطل	السبب المحتمل	إزالة الأعطال
البيان الضوئي للتجميد الشديد «سوبر» يضىء إضاءة. صورة 2/3	متقطعة انقطاع التيار الكهربائي للمواد الغذائية المجمدة غير معرضة للتلف! انتبه! في حالة ظهور عطل آخر بالجهاز غير وارد في صفحة إزالة الأعطال البسيطة بنفسك. حينئذ يصبح خطر تعرض المواد الغذائية للتلف قائم.	يتم ضغط أي زر البيان الضوئي الخاص بالتجميد الشديد (سوبر) يتوقف عن الإضاءة بضوء متقطع.
باب حيز التجميد كان مشغولاً لوقت طويل: درجة الحرارة لم يعد من الممكن الوصول إليها.	قد تكونت طبقة كثيفة جداً من الجليد على البخار (جهاز إصدار البرودة)، بحيث لا يمكن إزالة طبقة الجليد هذه عن طريقة نظام إذابة الجليد (أوتوماتيكياً).	لإزالة الجليد عن البخار يتم إخراج الحاويات الأدرج بما تحتويه من المواد الغذائية المجمدة ويتم حفظها عليها في مكان بارد حال كونها معزولة جيداً. يتم إيقاف تشغيل الجهاز ويتم دفعه وإبعاده عن الحائط. يتم ترك باب الجهاز مفتوحاً.
		يبدأ الثلج في الذوبان بعد مرور حوالي 20 دقيقة وينساب في وعاء التبخير (يوجد بخلف الجهاز، أنظر صورة 11) يجب في هذه الحالة تجفيف الماء المناسب لوعاء التبخير من حين لآخر بقطعة من الإسفنج حتى لا يفيض الماء خارج الوعاء. بعد توقف انسياب الماء إلى وعاء التبخير يكون الجليد المتكون على البخار قد ذاب. ينظف الجهاز من الداخل. ثم يتم إعادة تشغيل التلاجه مرة أخرى.

مراكز خدمة العملاء

سوف تجد رقم الهاتف الخاص بأقرب مركز خدمة العملاء لك بدليل التليفون الرسمي أو في قائمة فهرس مراكز خدمة العملاء. رجاء ذكر رقم المنتج (E-Nr.) وكذلك رقم التصنيع (FD-Nr.) الخاص بالجهاز لمركز خدمة العملاء.

سوف تجد هذه البيانات بلوحة الطراز. الصورة 12

الرجاء مساعدة مركز خدمة العملاء على توفير نفقات غير ضرورية ذلك بذكر رقم المنتج ورقم التصنيع حيث يمكن بذلك توفير نفقات إضافية قد تنشأ نتيجة لعدم ذكر تلك البيانات.

التكليف بأعمال إصلاح وتقديم المشورة في حالات الخلل

بيانات الاتصال الخاصة بجميع الدول جردونها في سجل مراكز خدمة العملاء المورد مع الجهاز.

العطل	السبب المحتمل	إزالة الأعطال
ينطلق صوت تحذير. في البيان الضوئي الخاص بدرجة الحرارة، الصورة 1/2، يضيء البيان «AL» بإضاءة متقطعة، والبيان الضوئي الخاص بالتحذير 2 يضيء.	عطل - فهذا يعني أنه في وقت سابق كان درجة الحرارة في حيز التجميد مرتفعة أكثر مما ينبغي!	لايقاف صوت التحذير يتم ضغط زر التحذير 6. البيان الضوئي الخاص بدرجة الحرارة 1 يتوقف عن الإضاءة بضوء متقطع. تظهر في البيان 1 أعلى درجة حرارة كانت سائدة بحيز التجميد لمدة خمس ثوان ثم تطفأ
	تعرض المواد المجمدة لخطر التلف	ملاحظة
		يمكن إعادة تجميد المواد الغذائية بعد ذوبان الجليد عنها وبلوغ درجة حرارتها لدرجة لا تزيد عن +3 م لمدة يوم واحد بالنسبة للحوم والأسماك في حالة عدم انبعاث رائحة منها ولمدة ثلاثة أيام للمواد الغذائية الأخرى. في حالة انبعاث رائحة منها فيجب إعدادهما في وجبات جاهزة عن طريق الطبخ أو القلي ثم إعادة تجميدها مرة أخرى. لا يُنصح بترك الأطعمة المجمدة حتى أقصى فترة تخزين.
	الجهاز مفتوح.	يتم إغلاق الجهاز:
	فتحات التهوية الموجودة للجهاز مغطاة.	يتم التأكد من عدم وجود ما يعوق التهوية وتصريف الهواء.
	تم تجميد كمية كبيرة من المواد الغذائية دفعة واحدة.	يجب عدم تجاوز سعة التجميد القصوى.
		بيان المراقبة الضوئي ينطفئ بعد إزالة سبب الخلل ببعض الوقت.
البيان الضوئي 1/2 يضيء بإضاءة متقطعة.	درجة الحرارة في حيز لتجميد أعلى مما ينبغي بسبب حدوث عطل!	بعد ضغط زر التحذير 6 فإن البيان الضوئي الخاص بدرجة الحرارة 1 يتوقف عن الإضاءة بضوء متقطع. تظهر في البيان 1 أعلى درجة حرارة كانت سائدة بحيز التجميد لمدة خمس ثوان ثم تطفأ.

إزالة الأعطال البسيطة بنفسك

قبل استدعاء مركز خدمة العملاء:

اختبر بنفسك إذا ما كان من الممكن إزالة الأعطال بنفسك بناء على التعليمات التالية. يجب عليك أن تتحمل بتكاليف استشارة مركز خدمة العملاء بنفسك حتى أثناء فترة الضمان!

العطل	السبب المحتمل	إزالة الأعطال
تفاوت كبير بين درجة الحرارة الفعلية والدرجة الجارية الضبط عليها.		يمكن في بعض الحالات التغلب على هذا الخلل من خلال إيقاف تشغيل الجهاز لمدة 5 دقائق. إذا كانت درجة الحرارة عالية أكثر من اللازم فينبغي التأكد بعد مرور ساعات قليلة من حدوث تقارب بين مستوى درجتي الحرارة الفعلية والمفترضة. وإذا كانت درجة الحرارة منخفضة أكثر من اللازم فينبغي التأكد في اليوم التالي مرة أخرى من مستوى درجة الحرارة.
الإضاءة الداخلية لا تعمل.	المصباح تالف كما في.	استبدال المصباح التالف. الصورة B/10 1. يتم إبطال عمل الجهاز. 2. يتم فصل التيار الكهربائي بسحب القابض من المقبس أو إغلاق مفتاح المنصهر. 3. يتم سحب شبكة تغطية المصباح نحو الأمام. 4. استبدال المصباح بمصباح بديل (المصباح البديل، 240-220 فولت تيار متردد، قاعدة المصباح E14، واط أنظر المصباح التالف).
كافة المؤشرات الضوئية لا تضيء.	انقطاع التيار الكهربائي؛ مفتاح المنصهر مغلق؛ قابض سلك التوصيل غير مثبت في مكانه جيداً	اختبر إذا أمكن تحريكه. إن لم تستطع تحريكه يرجى الاتصال بأحد مراكز الخدمة. الصورة A/10
حقل البيان يظهر بيان «E..».	خطأ فني.	يتم توصيل قابض الجهاز بالمقبس. يتم مراجعة ما إذا كان التيار الكهربائي موجوداً، ويتم مراجعة المصاهر. رجاء الاتصال بمركز الخدمة.

توفير الطاقة الكهربائية

- يجب نصب الجهاز في حجرة جافة قابلة للتهوية، وعدم تعريض الجهاز لأشعة الشمس المباشرة وعدم وضعه بالقرب من مصدر حراري (مثل جهاز التدفئة أو الموقد). وعند الاضطرار لذلك يفصل بينهما بلوح عازل.
- يجب عدم وضع أي شيء يمكن أن يغطي فتحات التهوية وتصريف الهواء.
- المواد الغذائية والمشروبات الدافئة يجب تركها خارج الجهاز حتى تكون قد بردت ثم يتم وضعها في الجهاز! يفضل وضع المواد الغذائية المجمدة في حيز التبريد حتى يذوب الثلج منها. وبهذا تستخدم البرودة المنبعثة من المواد المجمدة في تبريد المواد الغذائية الأخرى.
- الحرص على عدم فتح باب الثلاجة إلا لفترات قصيرة جداً بقدر الإمكان.
- يجب التأكد من أن يكون باب حيز التجميد مغلقاً دائماً.
- يجب تنظيف الجانب الخلفي للجهاز من حين لآخر باستخدام الكنسة الكهربائية أو فرشاه حيث أن ذلك يساعد على تجنب زيادة معدل الاستهلاك للطاقة.
- يجب ترك مسافة بين الجهاز والخائط الخلفي تقدر بـ 60 م حيث يساعد ذلك على تسرب الهواء الساخن بدون عائق.

الأصوات الصادرة أثناء عمل الثلاجة

الأصوات العادية تماماً

الهدير

الحركات تعمل (على سبيل المثال وحدات التبريد، المراوح).

أصوات الدمدمة والقرقرة والأزيز

مادة التبريد تنساب خلال مواسير التوصيل.

صوت «كليك»

المحرك أو مفاتيح القطع والوصل أو الصمامات

المغناطيسية يتم تشغيلها/إيقاف تشغيلها.

الأصوات التي يسهل إزالتها

الجهاز ليس منصوب باستواء أفقي

رجاء نصب الجهاز باستواء أفقي بالاستعانة بميزان ماء.

وتستخدم لذلك الحوامل القلاووظ أو يمكن وضع شيء ما

تحت الحوامل.

الجهاز «مسنود»

رجاء تحريك الجهاز بعيداً عن الأثاث أو الأجهزة المسنودة

عليه.

الحاويات أو أسطح الحفظ تهتز أو منحشرة

رجاء فحص الأجزاء التي يمكن فصلها أو سحبها وإعادة

تركيبها مرة أخرى عند اللزوم.

تنظيف الجهاز

⚠ انتبه

- ممنوع تماماً استخدام مواد التنظيف التي تحتوي على رمال أو كلوريد أو أحماض أو مواد إذابة كيميائية.
 - ممنوع تماماً استخدام قطع الاسفنج الخشنة أو قطع التنظيف المعدنية حيث تلحق أضراراً وخدوش بالأسطح المعدنية.
 - ممنوع تماماً تنظيف الأرفف والأدراج بغسالة الأواني الكهربائية حيث أن ذلك يؤدي إلى تعرضها للانحناء.
- قم باتباع الخطوات التالية:
1. يجب إبطال عمل الجهاز قبل الشروع في تنظيفه.
 2. يجب فصل الكهرباء عن الجهاز، بسحب القابس من المقبس أو إبطال عمل المنصهر.
 3. يتم إخراج المواد الغذائية المجمدة وحفظها بمكان بارد ووضع ألواح التجميد عليها.
 4. ثم قم بتنظيف الجهاز باستخدام ماء دافئ مخلوط بقليل من مادة غسيل الأطباق. ويجب مراعاة عدم دخول ماء التنظيف إلى داخل واجهة المراقبة.
 5. يجب تنظيف حشية الباب عن طريق مسحها بالماء لتنظيف دون خلطه بأية مواد تنظيف وجفيفها بعد ذلك جيداً بقطعة جافة.
 6. يجب مراعاة عدم تسرب ماء الغسيل من خلال ثقب التصريف إلى وعاء التبخير.
 7. بعد الانتهاء من التنظيف قم بتوصيل الجهاز بالتيار الكهربائي وأعد تشغيله.
 8. يتم إعادة وضع المواد الغذائية المجمدة في الجهاز.

إبطال عمل الجهاز وعدم استخدامه لفترة طويلة

إبطال عمل الجهاز

الصورة 2

اضغط على زر التشغيل/الإبطال 7. حينئذ يطفئ مؤشر درجة الحرارة وتتوقف ماكينة التبريد عن العمل.

عدم استخدام الجهاز لفترة طويلة

يجب إجراء ما يلي في حالة عدم استخدام الجهاز لفترة طويلة:

1. يتم إبطال عمل الجهاز.
2. فصل التيار الكهربائي بسحب القابس من المقبس.
3. تنظيف الثلاجة.
4. يترك باب الثلاجة مفتوحاً.

إذابة الثلج

حيز التجميد

يظل قسم التجميد خالياً من الثلج بفضل النظام المانع لتراكم الثلج على نحو آلي كامل. وعليه فإن عملية تراكم الثلوج أصبحت أمراً غير قائم.

إذابة جليد الأطعمة المجمدة

يمكن اختيار أحد الأساليب التالية حسب نوع المواد المجمدة والغرض من الاستخدام:

تركها لتذوب

- بدرجة حرارة الغرفة.
- في الثلاجة العادية.

■ في فرن الموقد الكهربائي، باستخدام مروحة الهواء الساخن أو بدونها

■ في جهاز فرن المايكروويف.

تنبيه هام

لا يمكن إعادة تجميد الأطعمة بعد ذوبان جليدها مرة أخرى. يجب أولاً إعدادها من خلال (طهيها أو قليها) أو تحضيرها كوجبة جاهزة ثم تجميدها مرة أخرى.

لا يُنصح بترك الأطعمة المجمدة حتى أفقر فترة تخزين.

التجهيزات

(لا توجد في جميع الطرازات)

حماية حفظ المواد المجمدة (كبيرة)

الصورة 1/15

لتجميد وحفظ المواد الغذائية الكبيرة الحجم المطلوب تجميدها، مثل الدجاج الرومي والبط والإوز.

الجدول الزمني للتجميد

الصورة 7/A

لتجنب حدوث أي إضرار بجودة المواد الغذائية المجمدة فإنه يكون من الهام أن يتم عدم تجاوز مدة التخزين القصوى المسموح بها. مدة التخزين تكون متوقفة على نوع المواد الغذائية المجمدة. تشير الأرقام المتواجدة بجوار الرموز إلى المدة الشهرية المفترضة لحفظ المواد الغذائية المجمدة.

ويبغى الانتباه إلى تاريخ الإنتاج أو تاريخ الصلاحية بالنسبة للمواد الغذائية المجمدة المعروضة للبيع في المحلات التجارية.

الصناديق الباعثة للبرودة

الصورة 7/B

يحول الصندوق الباعث للبرودة دون الانخفاض السريع لدرجة حرارة المواد الغذائية المجمدة والمحفوظة داخل الجهاز في حالة انقطاع التيار الكهربائي أو عند حدوث عطب. ويتم التوصل إلى أطول فترة لتخزين المواد الغذائية المجمدة عند وضع الصندوق الباعث للبرودة في القسم العلوي بشكل مباشر فوق المواد الغذائية. يمكن حفظ الصناديق الباعثة للبرودة في الدرج المخصص لها بباب الجهاز من أجل توفير المكان. ويمكن كذلك إخراج الصندوق الباعث للبرودة واستخدامه للحفاظ المؤقت على درجة حرارة المواد الغذائية، على سبيل المثال في حقيبة تبريد مُعدة لذلك.

وعاء مكعبات الثلج

الصورة 8

يتم ملء وعاء مكعبات الثلج بماء بنسبة 4% ثم يتم وضعه في حيز التجميد.

يجب استخدام أدوات غير حادة لنزع أواني الثلج الملتصقة (بملعقة)

يُنصح بثلج يحمل الوعاء مهلة قصيرة تحت ماء مناسب أو يريح الوعاء عدة مرات.

معد الثلج

الصورة 9

1. خرج وعاء مكعبات الثلج واملأه بالماء بنسبة 4% ثم أعد تركيبه.

2. بعد جمد مكعبات الثلج هم بإدارة ذراع الوعاء عدة مرات نحو اليمين ثم أتركه. حينئذ تنحل مكعبات الثلج عن الوعاء وتقع في وعاء حفظ الثلج.

3. اخرج مكعبات الثلج من الوعاء.

التجميد الشديد (سوبر)

يجب أن يتم تجميد المواد الغذائية تماماً حتى قلبها بأسرع ما يمكن. بهذه الطريقة فقط يمكن المحافظة على الفيتامينات وقيمته الغذائية مظهرها الخارجي وطعمها. لتجنب تعرض مواد غذائية المجمدة بالفعل في الحيز الخاص بالتجميد لارتفاع درجة حرارتها، يجب قبل وضع مواد غذائية طازجة بعدة ساعات تشغيل التجميد الشديد (سوبر).

عند الرغبة في استخدام السعة القصوى لحيز التجميد فيجب أن يتم تشغيل التجميد الشديد (سوبر) قبل وضع المواد الغذائية الطازجة بمدة قدرها 24 ساعة. يمكن تجميد كميات المواد الغذائية القليلة (حتى 2 كغ) دون تشغيل التجميد الشديد (سوبر).

ملاحظة

عندما يكون التجميد الشديد (سوبر) مشغلاً فإنه يمكن أن يحدث وتكون الأصوات الصادرة أثناء عمل التلاجة مرتفعة نسبياً.

تشغيل/إبطال التجميد الشديد

الصورة 2

يتم ضغط زر التجميد الشديد «سوبر» 5.

عندما يكون التجميد الشديد (سوبر) مشغلاً فإن البيان الضوئي الخاص بدرجة الحرارة 1 يظهر البيان «SU» والبيان الضوئي الخاص بالتجميد الشديد «سوبر» 3 يضيء.

بعد تشغيل التجميد الشديد (سوبر) فإن الجهاز يعمل بصورة متواصلة، في حيز التجميد يتم الوصول إلى درجة حرارة منخفضة (باردة) جداً.

ويتم إبطال عمل التجميد الشديد (سوبر) تلقائياً بعد مرور حوالي 2½ أيام على بدء تشغيله.

تغليف المواد الغذائية المطلوب تجميدها

يجب تعبئة المواد الغذائية بحيث لا يتسرب إليها الهواء وذلك حتى لا تفقد طعمها أو تتعرض للجفاف.

1. قم بتغليف المواد الغذائية.
2. قم بإفراغ الهواء من التغليف تماماً.
3. ثم اغلق العبوة بإحكام.
4. قم بتسجيل محتوى العبوة وتاريخ حفظها على الغلاف.

المواد المناسبة للتغليف هي:

أكياس ورقائق البلاستيك، الرقائق الخرطومية المصنوعة من البولي إيثيلين، رقائق الألومنيوم وعلب التجميد. هذه المنتجات متوفرة لدى المتاجر المتخصصة.

المواد غير المناسبة للتغليف هي:

ورق الفرن، الورق الصامد للشحم، ورق السيلوفان، أكياس القمامة وأكياس المشتريات المستعملة.

المواد المناسبة لإحكام الغلق هي:

الحلقات المطاطية، المشابك البلاستيكية، خيوط الربط، شرائط اللصق التي تتحمل البرودة أو ما شابه ذلك. يمكن لحام فتحات الأكياس والرقائق الخرطومية بواسطة جهاز لحام الأكياس البلاستيكية.

مدة الصلاحية للتخزين

تحدد فترة التخزين المسموح بها طبقاً لنوع المواد الغذائية.

- في درجة حرارة متوسطة يمكنك تخزين 18- درجة مئوية:
- الأسماك والبقائق والأطعمة الجاهزة والأطعمة الجبوزة لفترة تصل إلى 6 أشهر
 - والجبن ولحوم الطيور واللحوم لفترة تصل إلى 8 أشهر
 - والخضروات والفاكهة لفترة تصل إلى 12 أشهر

تجميد وحفظ المواد الغذائية

يجب مراعاة ما يلي عند شراء الأطعمة المجمدة

- تأكد من عدم وجود أية شقوق أو أضرار بأغلفة الأطعمة.
- تأكد أن تاريخ الصلاحية لم ينتهي بعد.
- يجب أن يظهر في بيان درجة الحرارة بتلاجة المتجر -18° م أو أبرد في حالة عدم توافر هذا الشرط فإن هذا يؤدي إلى قصر مدة الصلاحية.
- ينبغي وضع الأطعمة المجمدة في حقيبة عازلة للحرارة ونقل الأطعمة بسرعة إلى المنزل وحفظها فوراً في الخيز الخاص بالتجميد.

عند ترتيب المواد الغذائية يجب مراعاة ما يلي

- عند الرغبة في تجميد كميات كبيرة من المواد الغذائية يفضل وضعها في الدرج العلوي حيث يتم تجميدها بسرعة ما يحافظ في نفس الوقت على القيم الغذائية بها. يتم وضع المواد الغذائية في الأدراج أو في حاويات التجميد بحيث يتم توزيعها على كامل مسطح أرضية الدرج أو الحاوية. يجب مراعاة عدم حدوث تلامس بين المواد الغذائية المجمدة بالفعل وبين المواد الطازجة المطلوب تجميدها. عند الاقتضاء يتم إعادة رص وتكديس المواد الغذائية المجمدة بالفعل فوق بعضها في الحاويات المعدة للتجميد.
- ينبغي دائماً الانتباه إلى دفع كافة الأدراج المعدة لتجميد المواد الغذائية إلى النهاية أي حتى الاصطدام بخلفية الجهاز؛ حيث أن هذا يلعب دوراً هاماً بالنسبة لسريان دورة الهواء داخل الجهاز بدو عوائق.
- يجب الانتباه لعدم وضع المواد الغذائية المجمدة أمام فتحات التهوية بالجانب الخلفي للجهاز.

تجميد وحفظ المواد الغذائية

في حالة القيام بتجميد المواد الغذائية بنفسك. فيجب عدم استخدام سوى المواد الغذائية الطازجة الخالية من العيوب فقط.

من أجل المحافظة بأكبر قدر ممكن على القيمة الغذائية والنكهة واللون يجب تبيض الخضروات بماء مغلي قبل تجميدها. فيما يتعلق بالباذنجان والفلفل الحلو (الرومي) والكوسة (القرع) وجذور الهليون فإن التبييض لا يكون لازماً.

في المكتبات توجد كتب تدور حول التجميد، وهذه الكتب تحتوي أيضاً على وصف تفصيلي لعملية التبييض بالماء المغلي.

ملاحظة

ويجب في ذلك مراعاة عدم تلاصق المواد الغذائية الطازجة المطلوب تجميدها مع المواد الغذائية المجمدة بالفعل.

- المواد الغذائية المناسبة للتجميد هي:
المواد الغذائية المجمدة، الأسماك وفواكه البحر، اللحوم، ولحوم الحيوانات البرية، جوم الطيور، الخضروات، الفواكه، الأعشاب، البيض بدون قشرة، منتجات الألبان مثل الحين والزبد والقشدة، الأطعمة الجاهزة وبقايا الأطعمة مثل أنواع الحساء، أنواع اليخنة، اللحوم والأسماك التي تم إنصافها، أطعمة البطاطا (البطاطس)، وأطعمة الصواني المتصجة في الفرن والأطعمة الخلوة.
- المواد الغذائية الغير مناسبة للتجميد هي:
أنواع الخضروات التي يتم في المعتاد تناولها نيئة بدون إنصاف مثل خضروات البطاطس ورقية أو الفجل، البيض في قشره، العنب، ثمار التفاح والكمثرى (الإجاص) والذراق (الخوخ) الكاملة، البيض المسلوق، الزبادي (الروب)، اللبن الرائب، المشمشة الرائب، والكرمة الرائبه وصلصة المايونيز.

نزع التجهيزات الداخلية

- حاوية المواد الغذائية المجمدة يتم سحبها للخارج حتى النهاية ويتم رفعها قليلا من الأمام ويتم إخراجها. الصورة 4
- افتح درج المواد المجمدة والقلاب واسحب للخارج من خلال الفيض على أحد المقابض القلاووظ كما في الصورة 5
- كذلك يمكن نزع تجهيزة إعداد الثلج في حالة توافرها بالجهاز كما في الصورة 6
- الرف الزجاجي، الصورة 11/1، يمكن أن يتم إخراجهِ وتركيبهِ فوق حاوية المواد الغذائية المجمدة 13.

حيز التجميد

استخدام حيز التجميد

- إن حيز التجميد مجهز لحفظ المواد الغذائية المجمدة
- ولإعداد الثلج
- ولتجميد كميات قليلة من المواد الغذائية

ملاحظة

وجاء الإنبتاه لإحكام غلق باب حيز التجميد بصفة دائمة. تركيز باب الحيز مفتوحا يؤدي إلى ذوبان ثلج المواد المجمدة. كما يؤدي إلى تراكم الثلج بحيز التجميد. إضافة إلى ذلك يرتفع استهلاك الجهاز للطاقة الكهربائية.

السعة القصوى للتجميد

تجد على لائحة الطراز السعة القصوى المتاحة خلال 24 ساعة طبقا لطراز الجهاز (انظر الجدول مراكز خدمة العملاء).

بعد ذلك فإن هذه القيمة يتم محوها من الذاكرة. في البيان الضوئي الخاص بدرجة الحرارة 1 يتم إظهار البيان «AL» والبيان الضوئي الخاص بالتحذير 2 يضيء ويستمران في ذلك إلى أن تكون درجة الحرارة التي تم ضبطها قد تم الوصول إليها. بعد ذلك فإن البيان الضوئي الخاص بدرجة الحرارة 1 يظهر درجة الحرارة التي تم ضبطها.

اعتبارا من هذه اللحظة فإنه يتم من جديد قياس أعلى درجة حرارة ويتم تخزينها في الذاكرة.

ويمكن أن ينطلق صوت التحذير دون تعرض المواد المجمدة لخطر التلف في الحالات التالية:

- عند تشغيل الجهاز لأول مرة
- عند إضافة كمية كبيرة من مواد غذائية طازجة
- عند فتح باب حيز التجميد لفترة أطول مما ينبغي.

ملاحظة

لا يمكن إعادة تجميد الأطعمة بعد ذوبان جليدها مرة أخرى. يجب أولا إعدادها من خلال (طهيها أو قليها) أو تحضيرها كوجبة جاهزة ثم تجميدها مرة أخرى. لا يُنصح بترك الأطعمة المخرنة حتى أقصى فترة تخزين.

الحجم المتاح للاستخدام

تتواجد الإيضاحات المتعلقة بالحجم الكلي المتاح للاستخدام على لوحة المواصفات الفنية الملصقة على الجهاز.

إمكانية تخزين أقصى كمية ممكنة من المواد الغذائية المجمدة

يمكنك نزع التجهيزات الداخلية بالجهاز للتمكن من تجميد أقصى كمية متاحة بالجهاز وتخزين المواد الغذائية على الأرفف مباشرة.

ملاحظة

للتمكن من تخزين السعة المسجلة على لائحة الطراز يجب تركيب كل من الرفي العلوي والسفلي.

تشغيل الجهاز

يتم تشغيل الجهاز بضبط زر التشغيل/الإبطال رقم 7.

ينطلق صوت تحذير. في البيان الضوئي الخاص بدرجة الحرارة
1 يضيء البيان «AL» بإضاءة متقطعة، البيان الضوئي
الخاص بالتجميد الشديد 3 يضيء بإضاءة متقطعة والبيان
الضوئي الخاص بالتحذير 2 يضيء.

يتم الضغط على زر التحذير 6.

صوت التحذير يتوقف والبيان الضوئي الخاص بالتجميد
الشديد «سوبر» 3 ينطفئ؛

عندما يكون الجهاز قد وصل إلى درجة الحرارة التي تم الضبط
عليها، فإن البيان الضوئي الخاص بدرجة الحرارة 1 يظهر
درجة الحرارة التي تم الضبط عليها.

البيان الضوئي الخاص بالتحذير 2 ينطفئ؛

الإضاءة الداخلية في حيز التبريد تضيء عند فتح الباب.

تنبهات لتشغيل الجهاز

- بعد إعمال تشغيل الجهاز فإن الأمر قد يستغرق ساعات
متعددة حتى تكون درجة الحرارة التي تم الضبط عليها
قد تم الوصول إليها.
- يظل قسم التجميد خالياً من الثلج بفضل النظام
المانع لتراكم الثلج على نحو آلي كامل. وعليه فإن
عملية تراكم الثلوج أصبحت أمراً غير قائم.
- ويجري على نحو خفيف تدفئة جوانب هيكل الجهاز من
الناحية المحتوية على إشارات النجوم ما يحول دون تكون
ماء ناتج عن التكثف في نطاق الشريط المطاطي المانع
للتسرب من جهة الباب.
- الجهاز مجهز بفتحات باب لتصريف الهواء، وذلك
لكي يتم منع تولد ضغط منخفض (سالِب) في حيز
التجميد ولكي يكون باب الجهاز من الممكن فتحه في
كل وقت بسهولة.

تشغيل الجهاز

صورة 2

حيز التجميد

يمكن ضبط درجة الحرارة على درجة تتراوح بين 16- درجة
مئوية و 26- درجة مئوية.

يستمر الضغط على زر ضبط درجة الحرارة رقم 4 حتى
يضيء المؤشر الضوئي بدرجة الحرارة المطلوبة. يتم تسجيل
آخر درجة تم ضبطها بالجهاز.

يضيء المؤشر الضوئي رقم 1 بدرجة الحرارة التي تم ضبطها.
من المصنع المنتج فأنتنا ننصح بأن يتم ضبط حيز التجميد
على درجة حرارة قدرها 18- درجة مئوية.

وظيفة التحذير

إبطال صوت التحذير

صورة 2

من خلال الضغط على زر التحذير 6 يتم إبطال صوت
التحذير.

التحذير الخاص بالباب

ينطلق صوت التحذير الخاص بالباب عند ترك باب الجهاز
مفتوحاً لمدة تزيد عن دقيقة واحدة. من خلال إغلاق الباب
فإن صوت التحذير يتم إبطاله.

التحذير الخاص بدرجة الحرارة

ينطلق التحذير الخاص بدرجة الحرارة عندما تكون درجة
الحرارة في حيز التجميد مرتفعة أكثر مما ينبغي وتكون المواد
الغذائية المجمدة معرضة لخطر التلف.

في البيان الضوئي الخاص بدرجة الحرارة 1 يضيء البيان «AL»
بإضاءة متقطعة والبيان الضوئي الخاص بالتحذير 2 يضيء.

بعد الضغط على زر التحذير 6 يتم في البيان الضوئي
الخاص بدرجة الحرارة 1 ولدة خمس ثوان إظهار أعلى درجة
حرارة كانت سائدة في حيز التجميد.

واجهة التشغيل

صورة 2

تعرف على جهازك الجديد



افتح من فضلك الصفحة الأخيرة المطوية التي تتضمن الأشكال التوضيحية. تجهيزات الطرازات يمكن أن تكون مختلفة من طراز إلى آخر. إن دليل الاستخدام هذا معد لفيف من الأطرزة، وقد ينجم عن ذلك تفاوت بشأن الأشكال التوضيحية.

صورة 1

* لا توجد في جميع الطرازات

1-7 واجهه التشغيل

8 الإضاءة

9 تجهيزة عدم تراكم الجليد

10 رف قلاب لحيز التجميد

11 رف زجاجي

12 تجهيزة إعداد مكعبات الثلج/علبة للبيتزا *

13 حاوية حفظ المواد المجمدة (صغيرة)

14 رف حفظ المواد المجمدة

15 حاوية حفظ المواد المجمدة (كبيرة)

16 فتحات التهوية

17 حوامل قابلة للضغط.

18 الصناديق الباعثة للبرودة

19 جدول زمني لتسجيل تاريخ التجميد

20 فتحات الباب لتصريف الهواء

1 البيان الضوئي الخاص بدرجة الحرارة تظهر به درجة الحرارة التي تم ضبطها بحيز التجميد.

2 البيان الضوئي الخاص بالتحذير يضىء عندما تكون درجة الحرارة بحيز التجميد مرتفعة أكثر مما ينبغي.

3 ينطفئ عندما يكون حيز التجميد قد وصل إلى درجة الحرارة التي تم الضبط عليها.

4 البيان الضوئي الخاص بالتجميد الشديد «سوبر» يضىء فقط أثناء عمل تجهيزة التجميد الشديد.

5 مفتاح ضبط درجة الحرارة باستخدام هذا الزر يتم ضبط درجة الحرارة المرغوب فيها.

6 مفتاح التجميد الشديد «سوبر» يستخدم لتشغيل وظيفة التجميد الشديد «سوبر». أنظر فصل التجميد الشديد «سوبر».

7 زر التحذير يستخدم لإبطال صوت التحذير. (أنظر فصل صوت التحذير)

8 مفتاح التشغيل/الإبطال يستخدم لتشغيل/إبطال عمل الجهاز.

توصيل الجهاز بالتيار الكهربائي

ينبغي بعد نصب الجهاز الانتظار لمدة ساعة على الأقل قبل تشغيل الجهاز لأول مرة. فمن الممكن أثناء النقل أن يحدث انتقال للزيت المتواجد بماكينة التبريد إلى شبكة التبريد. فمن الممكن أثناء النقل أن يحدث انتقال للزيت المتواجد بماكينة التبريد إلى شبكة التبريد.

يجب تنظيف الحيز الداخلي للجهاز قبل تشغيله لأول مرة (أنظر البند الخاص بالتنظيف).

يجب أن يكون من السهل الوصول إلى مصدر توصيل التيار الكهربائي (المقبس).

توصيل الجهاز بالتيار الكهربائي

من اللازم أن يكون المقبس موجودا بالقرب من الجهاز ويلزم أن يكون من الممكن الوصول إليه بسهولة حتى بعد نصب الجهاز.

الجهاز متوافق مع متطلبات مستوى الحماية I. يتم توصيل الجهاز بتيار كهربائي متردد 220-240 فولت/50 هرتز عبر مقبس جرى تركيبه على نحو مطابق للمواصفات ومجهز بسلك تأريض وافي. ويجب أن يكون المقبس مؤمن بواسطة مذبذبة تصل قدرته من 10 إلى 16 أمبير.

بالنسبة للأجهزة التي تستخدم في دول غير أوروبية، فيجب الرجوع إلى لوحة الطراز لمعرفة إذا ما كانت البيانات المذكورة بها والخاصة بجهد التيار ونوعه تتطابق مع القيم الخاصة بشبكة التيار الكهربائي الخاصة بك.

هذه البيانات توجه على لوحة بيانات الطراز. الصورة 12

⚠ تحذير!

لا يسمح على وجه الإطلاق بأن يتم توصيل الجهاز بقوابس إلكترونية لتوفير الطاقة.

يمكن استخدام العاكسات الكهربائية الموجهة بمنحنى جيبي والعاكسات الكهربائية الموجهة بالشبكة لغرض استخدام الأجهزة المنتجة من قبلنا. في حالة تطبيق أحد حلول الجزيرة (المواقع المنعزلة) (على سبيل المثال في السفن أو الأكواخ الجبلية) والتي لا يتوفر لها وصلة مباشرة بشبكة التيار الكهربائي العمومية، فإنه يلزم استخدام عاكسات كهربائية موجهة بمنحنى جيبي (عاكسات زينوس).

يرجى مراعاة درجة حرارة الوسط المحيط والتهوية

درجة حرارة الوسط المحيط

الجهاز مصمم ومعد للعمل في درجة تصنيف طقس محيط معينة. بالتوقف على درجة تصنيف الطقس المحيط يمكن تشغيل الجهاز في درجات حرارة الوسط المحيط المذكورة فيما يلي.

تصنيف الطقس يكون مذكورا في لوحة بيانات الطراز.

الصورة 12

درجة حرارة الوسط	درجة تصنيف الطقس المحيط
SN	+10 °م حتى 32 °م
N	+16 °م حتى 32 °م
ST	+16 °م حتى 38 °م
T	+16 °م حتى 43 °م

تنبيه

الجهاز يكون في حالة صلاحية تامة لأداء وظيفته عند تشغيله في داخل نطاق حدود درجات حرارة الوسط المحيط الخاصة بتصنيف الطقس المحيط النصوص عليها. في حالة تشغيل جهاز من درجة تصنيف الطقس المحيط SN في درجات حرارة وسط محيط باردة (منخفضة) عما ينبغي، فإنه يمكن الانطلاق بصورة قاطعة من عدم حدوث أي تلف أو ضرر بالجهاز حتى درجة حرارة قدرها +5 درجات مئوية.

التهوية

صورة 13

تهوية ماكينة التبريد يتم فقط من خلال شبكة التهوية الموجودة بالقاعدة. لذلك لا يجب بأية حال من الأحوال تغطية شبكة التهوية. عدم إتاحة ذلك يدفع ماكينة التبريد على العمل بقدرة أكبر مما يؤدي بالتالي لزيادة استهلاك الكهرباء.

3. يجب عدم إخراج الرفوف والحاويات من الجهاز، وذلك لأنها تشكل عوائق تجعل من الأكثر صعوبة على الأطفال أن يقوموا بالتسلق إلى داخل الجهاز!
 4. يجب عدم ترك الأطفال ليلعبوا بالجهاز الذي انتهى عمره التشغيلي. خطر حدوث اختناق!
- تحتوي أجهزة التبريد على مواد تبريد كما تحتوي على غازات في الأجزاء العازلة. يجب تصريف مواد التبريد والغازات بطريقة تقنية صحيحة. لذلك يجب الحرص على عدم الإضرار بالمواسير الخاصة بمسار دورة مادة التبريد وذلك حتى يتم تصريفها بالطريقة التقنية الصحيحة.

متضمنات التوريد

- بعد فض مواد التغليف يجب فحص جميع الأجزاء للكشف عما قد يوجد بها من تلف أو ضرر.
- في حالة وجود أي عيب يرجى منكم الاتصال بالتاجر الذي اشتريتم الجهاز منه أو الاتصال بمركز خدمة العملاء التابع لنا.
- متضمنات التوريد تتكون من الأجزاء التالية:

- جهاز للنصب المنفرد
- الأجهزة (بالتوقف على الطراز)
- تعليمات لاستخدام
- تعليمات التركيب
- دفتر خدمة العملاء
- مرفق بيان الضمان
- معلومات بشأن توفير الطاقة وأصوات التشغيل
- كيس يتضمن لوازم التركيب

إرشادات التخلص من الفضلات

التخلص من تغليف الجهاز الجديد

يعمل التغليف على حماية جهازك الجديد من التعرض لأي تلف في الطريق حتى يصل إليك. جميع المواد المستخدمة في التغليف غير ضارة بالبيئة ويمكن إعادة استخدامها. لذلك نرجو منك المساهمة معنا: تخلص من مواد التغليف بطريقة تحافظ على البيئة.

رجاء الاستفسار عن أحدث طرق التخلص من الفضلات لدى المتجر المتخصص الخاص بمنطقتك أو لدى إدارة البلدية المختصة بك.

التخلص من الجهاز القديم

الأجهزة القديمة ليست مجرد نفايات عديمة القيمة! فعن طريق التخلص من النفايات بأسلوب يحافظ على البيئة يمكن الحصول مرة أخرى على مواد أولية ذات قيمة عالية.

هذا الجهاز مصنف طبقاً للتعليمات الأوروبية 2002/96/EG المتعلقة بالأجهزة الكهربائية والإلكترونية المستهلكة

(waste electrical and electronic equipment – WEEE)

وتحدد هذه التعليمات الإطار المتعلق باسترجاع الأجهزة المستهلكة والاستفادة من خاماتها في كل أنحاء الاتحاد الأوروبي. يمكن الحصول على المعلومات المتعلقة بأحدث الأساليب الجارية للتخلص من الأجهزة المستهلكة عند أحد المحلات التجارية المتخصصة أو لدى إدارة المدينة.

تحذير

جعل الجهاز القديم غير صالح للاستخدام:

1. فصل التيار الكهربائي بسحب القابض من المقبس
2. قطع سلك التوصيل الكهربائي واستبعاده مع القابض.

في حالة وجود أطفال بالمنزل

- يجب عدم ترك مواد التغليف للأطفال حيث ذلك يعرضهم لخطر الاختناق بواسطة علب الورق المقوى ورفائق البلاستيك.
- الجهاز ليس لعبة بلهى بها الأطفال.
- بالنسبة للأجهزة ذات الأقفال يجب حفظ المفاتيح بعيداً عن متناول الأطفال.

قواعد عامة

- هذا الجهاز مخصص فقط
- تجميد المواد الغذائية.
- لتحضير الثلج.
- هذا الجهاز معد ومخصص للاستخدام في الأغراض المنزلية في المساكن الخاصة (غير التجارية أو الاحترافية) وفي نطاق البيئة المنزلية فقط.
- هذا الجهاز مخصص للاستخدام المنزلي.
- تم اختبار الحجب الكهربائي بالجهاز طبقاً للقواعد السارية بالجماعة الأوروبية (2004/108/EC).
- تم فحص مسار دورة مادة التبريد للتأكد من عدم حدوث تسرب.
- تم تصنيع هذا الجهاز طبقاً لقواعد الأمان السارية لتصنيع الأجهزة الكهربائية (EN 60335-2-24).

- لا يجب إساءة استخدام الحوامل أو الأجزاء القابلة للسحب الخارج أو الأبواب أو ما إلى ذلك، فلا يصح الوقوف أو الاستناد عليها.
- يجب عند القيام بإذابة الجليد أو بتنظيف الجهاز فصل الكهرباء عن الجهاز، بسحب القابس من المقبس أو إبطال عمل المنصهر. ويراعى سحب القابس نفسه وعدم جذب السلك.
- لا يجب تخزين سوائل تحتوي على نسبة عالية من الكحول في الثلاجة إلا إذا كانت في عبوات مغلقة بإحكام وفي الوضع القائم.
- لا يجب تلوين الأجزاء المصنوعة من البلاستيك أو حواشي إحكام غلق الباب بالزيت أو بالدهون، لأن ذلك يساعد على تكوين مسام في الأجزاء البلاستيكية وحواشي الباب.
- يجب عدم تغطية أو وضع أشياء على فتحات التهوية أو فتحات إخراج الهواء.
- يجب عدم استخدام هذا الجهاز من قبل الأشخاص (بما يشمل الأطفال) ذوي القدرات البدنية أو الحسية أو الذهنية المحدودة أو نقص في المعارف والمعلومات إلا عندما يكون جاري الإشراف عليهم من قبل شخص مختص بسلامتهم وأمانهم أو بعد أن يكون قد تم من قبل هذا الشخص إعطائهم إرشادات تفصيلية بشأن كيفية استخدام الجهاز.
- ممنوع تماماً تجميد السوائل الموجودة داخل زجاجات أو علب معدنية (المشروبات الغازية بصفة خاصة). خطر انفجار الزجاجات والعلب.
- لا يجب أخذ المواد الغذائية المتجمدة من حيز التجميد ووضعها في الفم مباشرة.
- خطر التعرض للحرق نتيجة لدرجة الحرارة المنخفضة جداً!
- يجب تجنب لمسك المواد المتجمدة أو الآيس كريم أو وصلات التبريد بالأيدي فترة طويلة.
- خطر التعرض للحرق نتيجة لدرجة الحرارة المنخفضة جداً!

في حالة حدوث تلف بسلك التوصيل بالتيار الكهربائي، عندئذ يلزم أن يتم استبداله من قبل منتج الجهاز أو أحد مراكز الخدمة التابعة له أو من قبل شخص حائز على تأهيل تقني مشابه. أعمال التركيب أو الإصلاح التي يتم إجرائها بطريقة تخالف الأصول يمكن أن تتسبب في تعريض مستخدم الجهاز لمخاطر جسيمة.

يجب عدم إجراء أية أعمال إصلاح في الجهاز إلا من قبل منتج الجهاز أو أحد مراكز الخدمة التابعة له أو من قبل شخص حائز على تأهيل تقني مشابه.

لا يسمح باستخدام أية قطع غيار غير قطع الغيار الأصلية المصنوعة من قبل منتج الجهاز. فقط عند استخدام قطع الغيار الأصلية هذه فإن منتج الجهاز يكفل كون قطع الغيار هذه تفي بمتطلبات السلامة والأمان.

لا يسمح باستخدام أية توصيلة إطالة لسلك التوصيل بالتيار الكهربائي إلا تلك التي يتم الحصول عليها لدى مركز خدمة العملاء.

يجب مراعاة ما يلي عند الاستخدام

- ممنوع تماماً استخدام أية أجهزة كهربائية في داخل الثلاجة (مثل أجهزة التسخين أو التدفئة أو أجهزة اعداد الثلج الكهربائية وما إلى ذلك).
- خطر الانفجار!
- ممنوع تماماً استخدام جهاز تنظيف البخار من أجل إذابة الجليد بالثلاجة أو تنظيفها! فمن الممكن أن يصل البخار إلى بعض الأجزاء الكهربائية ويسبب بها ماس كهربائي أو يتسبب في إصابة أحد الأشخاص بالصعق الكهربائي.
- ممنوع تماماً حك طرفيات الجليد المتراكمة أو محاولة نزع المواد الغذائية المجمدة المتصقة بالجهاز باستخدام سكين أو أية آلة حادة حيث قد يؤدي ذلك إلى إصابة مواسير مسار دورة التبريد بأضرار. من الممكن أن تتسبب الرذاذ المتناثر من مادة التبريد في إحداث إصابات بالعين كما أنه من الممكن أن يشتعل.
- لا يجب تخزين أية منتجات تحتوي على غازات قابلة للاشتعال (مثل عبوات الرش) في الثلاجة أو أية مواد قابلة للانفجار.
- خطر الانفجار!

إرشادات وتحذيرات خاصة بالأمان

قبل أن تبدأ في تشغيل الجهاز لأول مرة

يجب قراءة تعليمات الاستخدام وتعليمات التركيب كاملة وبعناية واهتمام!

فهذه التعليمات تحتوي على معلومات هامة خاصة بنصب الجهاز وطريقة استخدامه وصيانته

لذا نرجو بالاحتفاظ بتعليمات الاستخدام وتعليمات

التركيب وإعطاء تلك التعليمات لمن يؤول له الجهاز فيما بعد.

إرشادات أمان تركيبية

يحتوي الجهاز على كمية قليلة من مادة التبريد R600a وهي لا تضر البيئة ولكنها قابلة للاشتعال. نرجو الانتباه إلى عدم إصابة مواسير مسار دورة مادة التبريد بأية أضرار أثناء نقل الجهاز أو تركيبه. من الممكن أن تتسبب الرذاذ المتناثر من مادة التبريد في إحداث إصابات بالعين كما أنه من الممكن أن يشتعل.

في حالة إصابة الجهاز بأضرار يجب:

- ألا تكون أية نيران مكشوفة أو مصادر لإشعال النار قريبة من المكان.
- فصل التيار الكهربائي بسحب القابض من المقبس.
- افصل الجهاز عن التيار الكهربائي بسحب القابض من المقبس.
- إخبار مركز الخدمة بالحادث.

كلما زادت كمية مادة التبريد في أي جهاز، كلما كان من الضروري أن يتسع حجم المكان الذي يتواجد فيه هذا الجهاز. من الممكن في حالة الغرف الصغيرة أكثر ما ينبغي أن يتكون خليط من الغاز والهواء قابل للاشتعال عند حدوث تسرب لمادة التبريد.

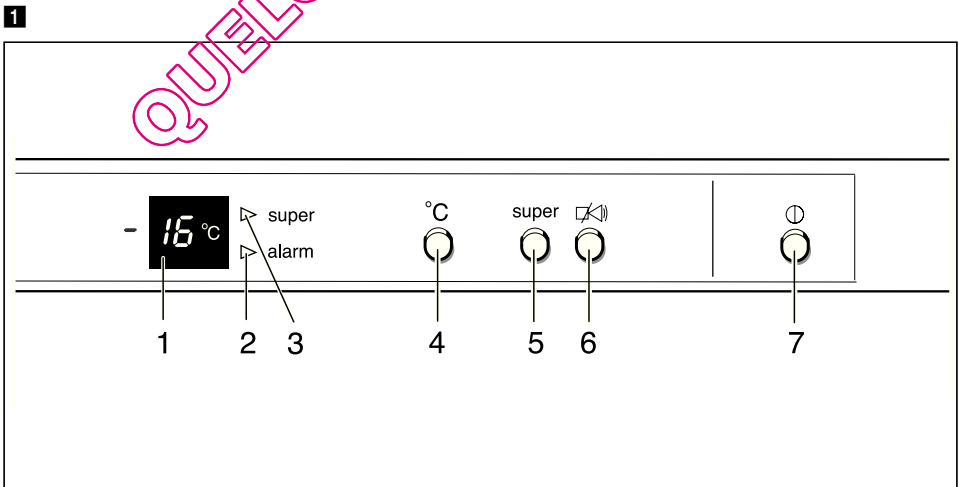
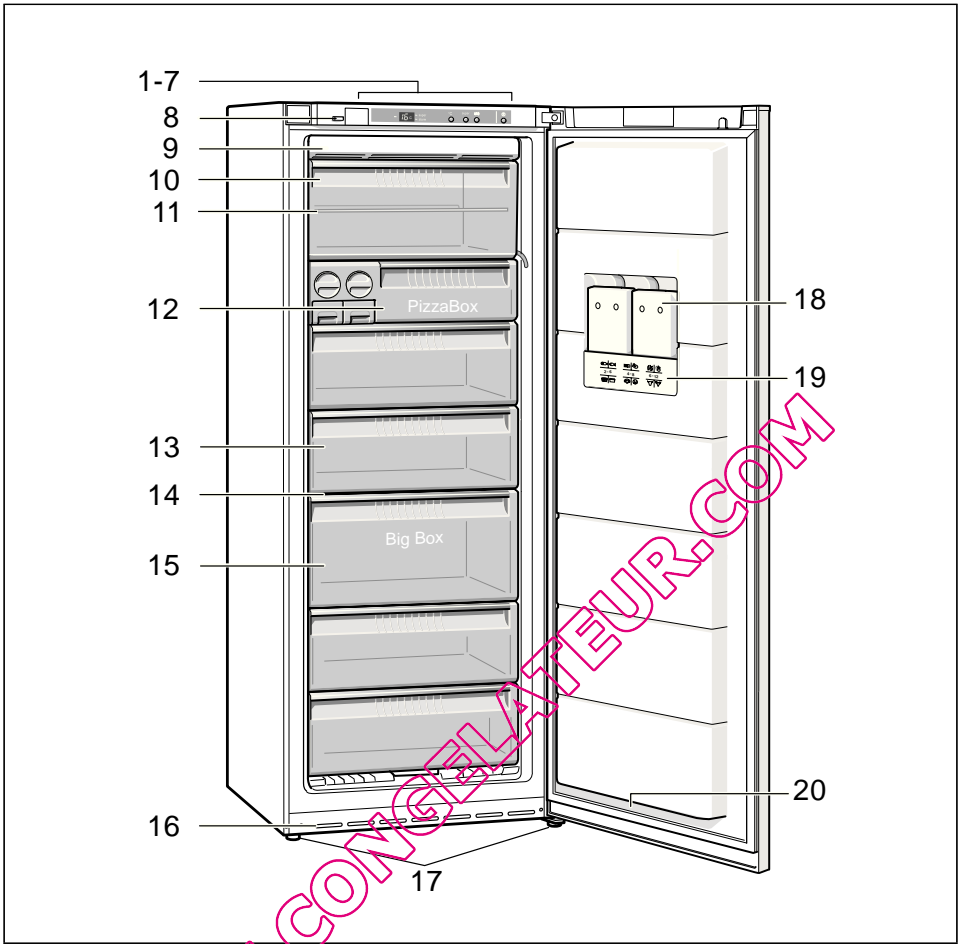
يجب أن يكون هناك تناسب بين حجم الحجرة وكمية مادة التبريد بحيث يكون متاحاً لكل 8 غرام من مادة التبريد حيز لا يقل عن متر مكعب واحد. كمية مادة التبريد الموجودة في الجهاز الخاص بكم مدونة على لوحة الطراز المثبتة بالحيز الداخلي للجهاز.

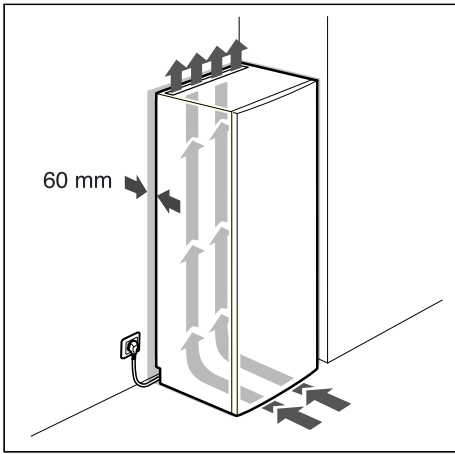
ar فهرس المحتويات

10	تجميد وحفظ المواد الغذائية	3	إرشادات وخصائص خاصة بالأمان
10	تجميد وحفظ المواد الغذائية	5	إرشادات التخلص من الفضلات
11	التجميد الشديد (سوبر)	5	متضمنات التوريد
12	إذابة جليد الأطعمة المجمدة	6	يرجى مراعاة درجة حرارة الوسط المحيط والتهوية
12	التجهيزات	6	توصيل الجهاز بالتيار الكهربائي
	إبطال عمل الجهاز وعدم استخدامه لفترة طويلة	7	تعرف على جهازك الجديد
13	إذابة الثلج	8	تشغيل الجهاز
13	تنظيف الجهاز	8	تشغيل الجهاز
14	توفير الطاقة الكهربائية	8	وظيفة التحذير
14	الأصوات الصادرة أثناء عمل الفلاجة	9	الحجم المتاح للاستخدام
15	إزالة الأعطال البسيطة بنفسك	9	حيز التجميد
17	مراكز خدمة العملاء	9	السعة القصوى للتجميد

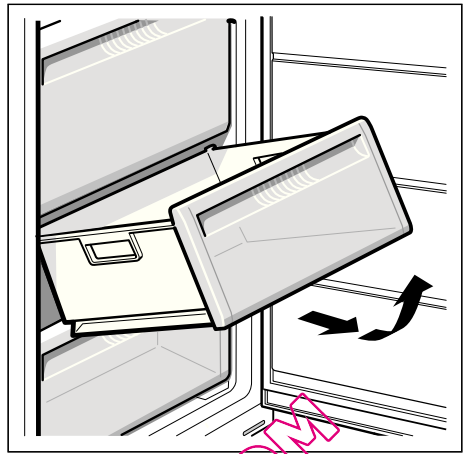
fa فهرست مطالب

25	فريز کردن و انبار کردن مواد غذایی	18	دستورالعمل های ایمنی و هشدارها
25	فريز کردن مواد خوراکی تازه	20	چگونگی دفع مواد زائد
26	«فريز سوبر» (بخ زدن بسيار عالی)	20	محتویات بسته کالا
27	يخزدايي مواد منجمده	21	به دمای محیط و تهویه آنتوجه کنید
27	تجهيزات	21	چگونگی اتصال دستگاه
	خاموش کردن و عدم استفاده از دستگاه	22	آشنایی با دستگاه
28	برای مدت طولانی	22	تابلوی راهنمای کاربرد
28	يخزدايي	23	روشن کردن دستگاه
28	تميز نمودن دستگاه	23	تنظیم درجه حرارت
29	صرفه جویی در مصرف انرژی	23	عملکرد هشدار
29	صداهای ناشی از کارکرد دستگاه	24	حجم مفید
30	مشکلات کوچکی که می توان آنها را برطرف نمود	24	فضای فريزر
32	سرویس دهی به مشتریان	25	حداکثر گنجایش فريزر

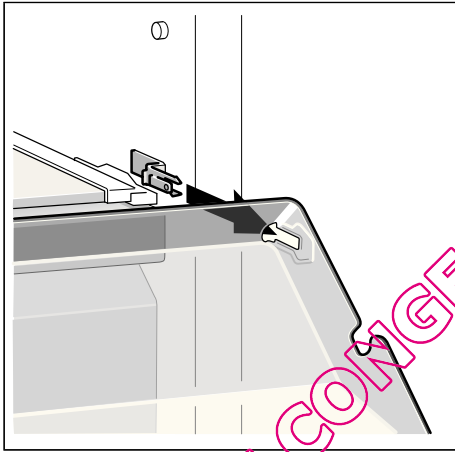




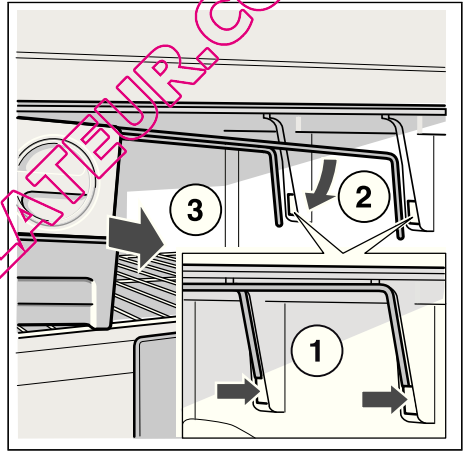
3



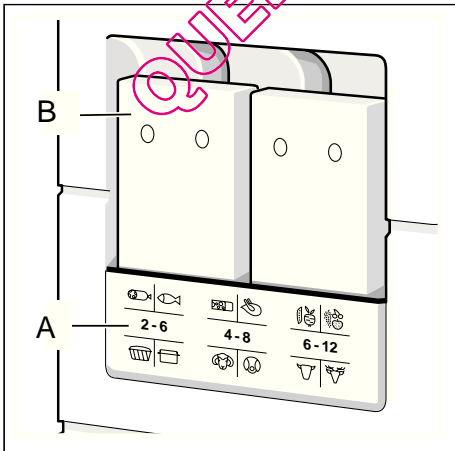
4



5



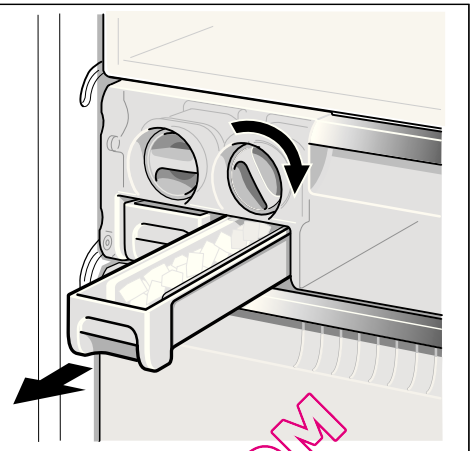
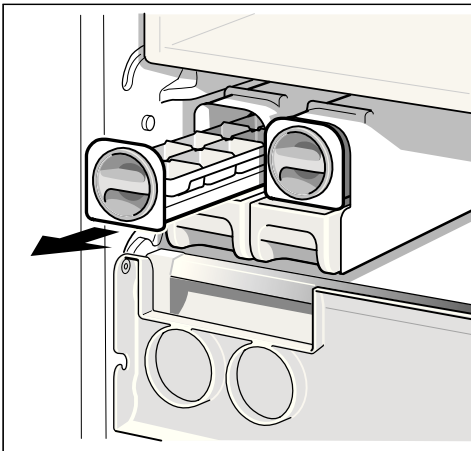
6



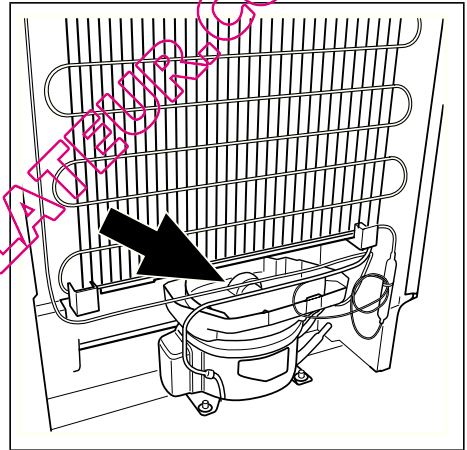
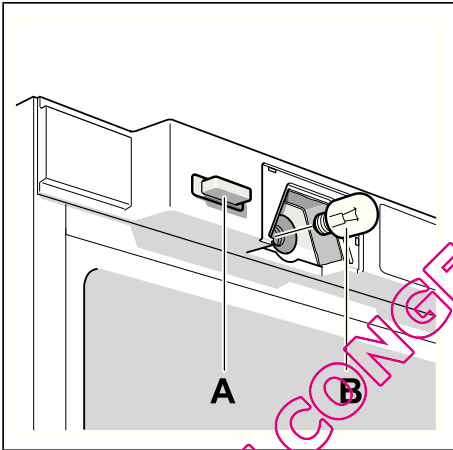
7



8

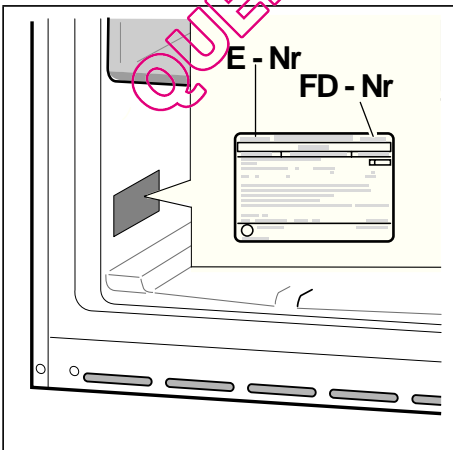


9



10

11



12

QUELCONGELATEUR.COM



Robert Bosch Hausgeräte GmbH
Carl-Wery-Straße 34
81739 München
DEUTSCHLAND



9000644146 (9108)
en, fr, ar, fa